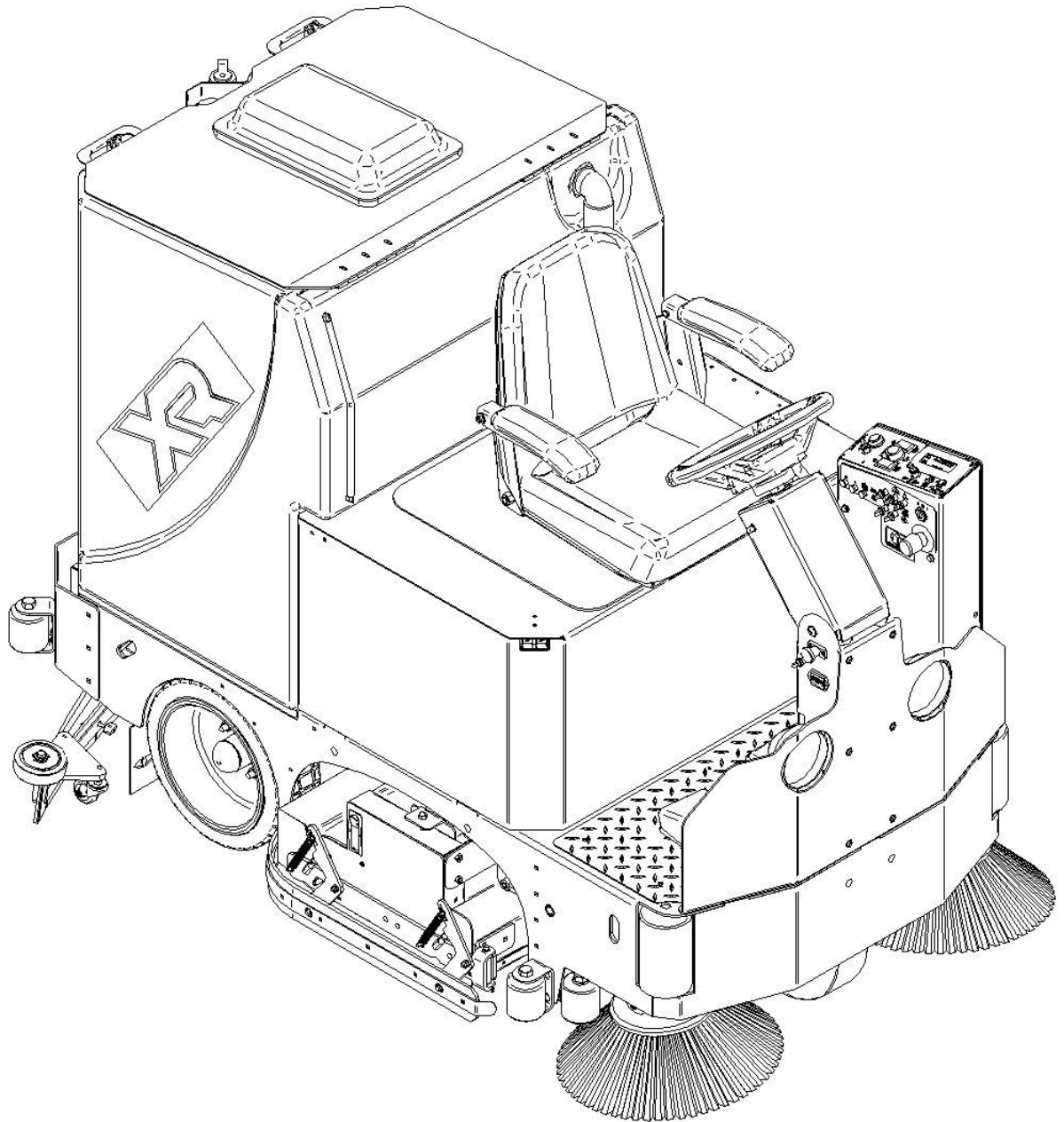


Version 14.0213

# PARTS MANUAL

# XR SERIES



R.P.S. Corporation  
P.O. Box 368  
Racine, Wisconsin 53401

Phone: 1-800-634-4060  
Fax: 1-866-901-3335



Soap Choices .....	4
Front Wheel Drive.....	6
Side Brooms .....	8
Front Wheel and Side Brooms .....	10
Disk Decks.....	12
Disk Decks 45 inch .....	14
Disc Shrouds .....	16
Cylindrical Wiper.....	17
Old Style Cylindrical Wiper .....	18
Cylindrical Door .....	19
Cylindrical Decks .....	20
Attaching Decks.....	22
Squeegee Trail Arm .....	24
46 Inch Squeegee .....	26
53 Inch Squeegee .....	28
60 Inch Squeegee .....	30
Squeegee Trail Arm and Rear Axle .....	32
Vac Motors and Vac Filter Box 63205 and Higher.....	34
Vac Motors and Vac Filter Box 63205 and Higher.....	35
Dual Vac Motors 63204 and Lower .....	36
Dual Vac Motors 63204 and Lower .....	37
Vac Motors and Solution Hoses 63204 and Lower.....	38
Vac Motors and Solution Hoses 63204 and Lower.....	39
Tank Lid .....	40
Tank Baffle.....	42
Solution/Recovery Tank 63205 and Higher .....	44
Solution/Recovery Tank - Serial 63204 and Lower.....	46
Tank Mounting .....	48
Stainless Solution Tank .....	50
Stainless Recovery Tank .....	52
Standard Batteries and Seat .....	54
Industrial Battery and Seat .....	56
Central Command .....	58
Steering Tower.....	60
Central Command and Steering Tower .....	62
Overhead Guard.....	64
SUDS System Industrial Battery.....	66
SUDS System .....	68
Vac Filter Box 63205 and Higher.....	70
Side Doors.....	71
Side Doors.....	72
Water Jet Kit .....	73
Vac Wand Kit .....	74
Common Wear Parts .....	75
Common Wear Parts .....	76
Suggested parts inventory.....	77



Industrial • Commercial • Environmentally Safe

**TRADITIONAL DRUMS / TOTES**



**DEMO / RENTAL QUARTS**



**WALL-MOUNTED SUPERCON**



**ONBOARD AUTO DISPENSING**



Onboard Availability

**FORMULAS**

**SUDS**  
Approved



**707 Citrus Green** An environmentally cleaner that works! It is a solvent free degreaser that works on oil, carbon, even rubber marks. Incorporates the latest technology in "Green Cleaning".

**SUDS**  
Approved



**733 Low pH** Safe on most surfaces not harmed by water alone. Low scale formula to prevent alkali buildup in cleaning equipment, while offer detergent to emulsify oil.

**SUDS**  
Approved



**755 High Power** Ideal solvent fortified degreaser. This butyl based detergent is penetrating, fast acting, and deep cleaning with built-in corrosion inhibitors. It is our most effective degreaser.

**SUDS**  
Approved



**757 Gloss** A high gloss detergent designed to dry to a bright shine. It is ideal for use on finished surfaces, tile, epoxy, or enamel. The special formula removes salt residue, scuff marks and dirt, while leaving no residue behind. The result is a clean, non-slip surface, ready for immediate use.

**SUDS**  
Approved



**797 HD** The Heavy Duty concentrate is a Super alkaline detergent, formulated for heavy soil, grease, and thick buildup. Popular in machine shops, auto and truck repair, and other facilities with oil, hydraulic fluids and cutting oils.

*\*\*Below Sold in bulk concentrate only. Not available as a SuperCon, PowerDose or SUDS product.*

**727 Pretreat\*\*** Designed to quickly remove tire marks, oil stains and buildup that has accumulated. This pretreat uses the powerful cleaning of natural citrus extract and is intended to be used directly on the floor at 100% concentrate.

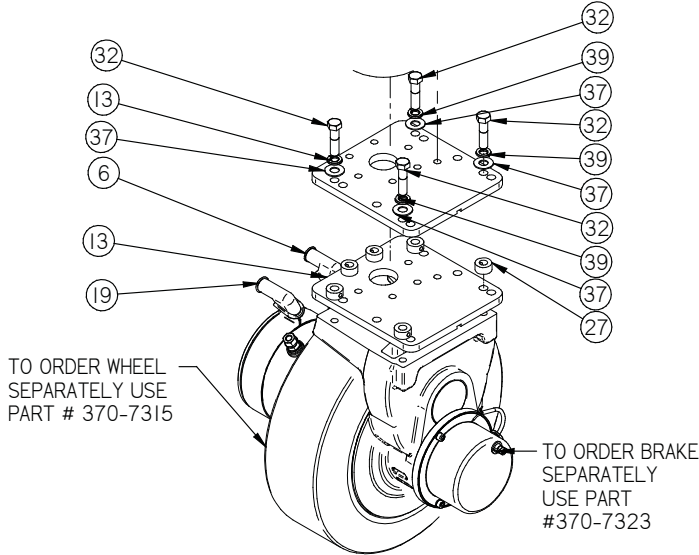
**744 Tough Stuff\*\*** Ideal for applications with Hard Water problems. It is safe to use in pressure washers and automatic scrubbers. The formulation enhances soil suspension, digests oil and grease, while supporting extra water conditioner.

**Distributed by:**

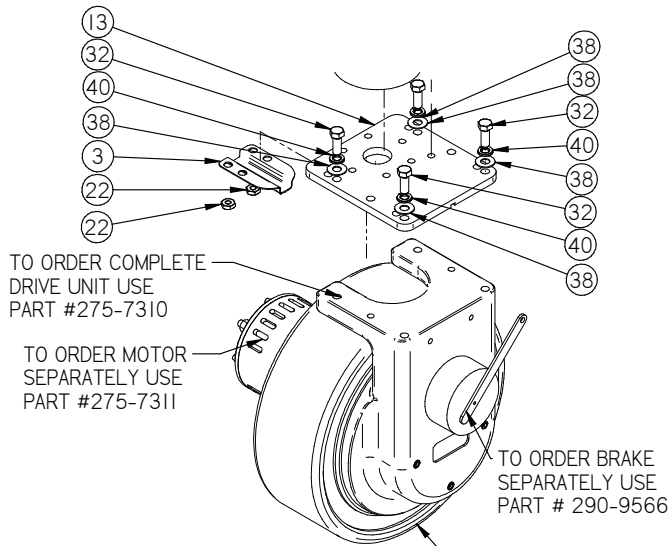
**PowerCat**  
P.O. Box 503  
Racine, WI 53404-0503  
Phone: 414-745-9337  
Fax: 262-632-1630  
[www.powercatsolutions.com](http://www.powercatsolutions.com)

PowerCat, LLC, 2008.

**NUMBER 52320 AND LOWER  
USE THIS FRONT WHEEL DRIVE**



**FOR MACHINES WITH A SERIAL  
NUMBER BETWEEN # 52321  
AND # 59455 USE THIS FRONT  
WHEEL DRIVE**

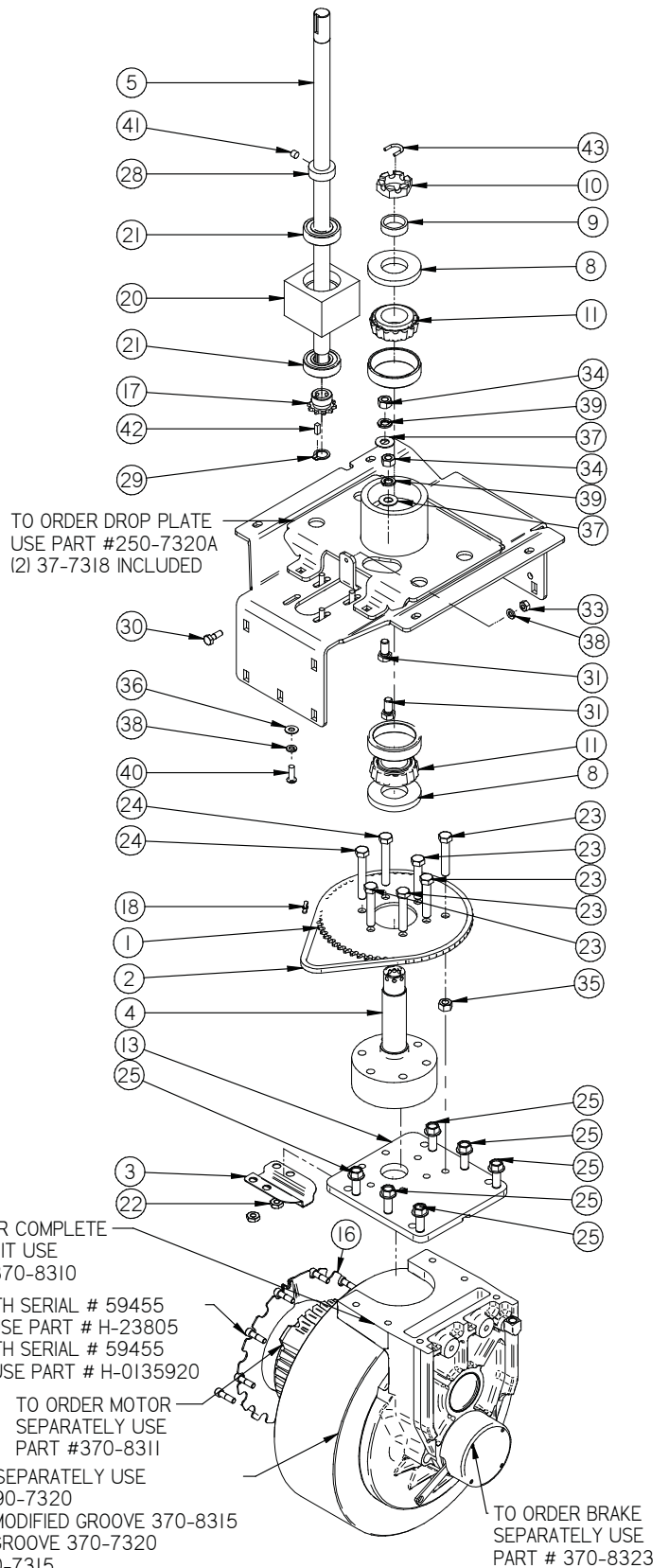


TO ORDER WHEEL SEPARATELY USE  
GREY X GROOVE 290-7320  
BLACK HYTRAQ X MODIFIED GROOVE 370-8315  
POLY X MODIFIED GROOVE 370-7320  
P-7 X GROOVE 290-7315

TO ORDER COMPLETE  
DRIVE UNIT USE  
PART # 370-8310  
MACHINES WITH SERIAL # 59455  
AND LOWER USE PART # H-23805  
MACHINES WITH SERIAL # 59455  
AND HIGHER USE PART # H-0135920

TO ORDER WHEEL SEPARATELY USE  
GREY X GROOVE 290-7320  
BLACK HYTRAQ X MODIFIED GROOVE 370-8315  
POLY X MODIFIED GROOVE 370-7320  
P-7 X GROOVE 290-7315

**NUMBER 59456 AND HIGHER  
USE THIS FRONT WHEEL DRIVE**

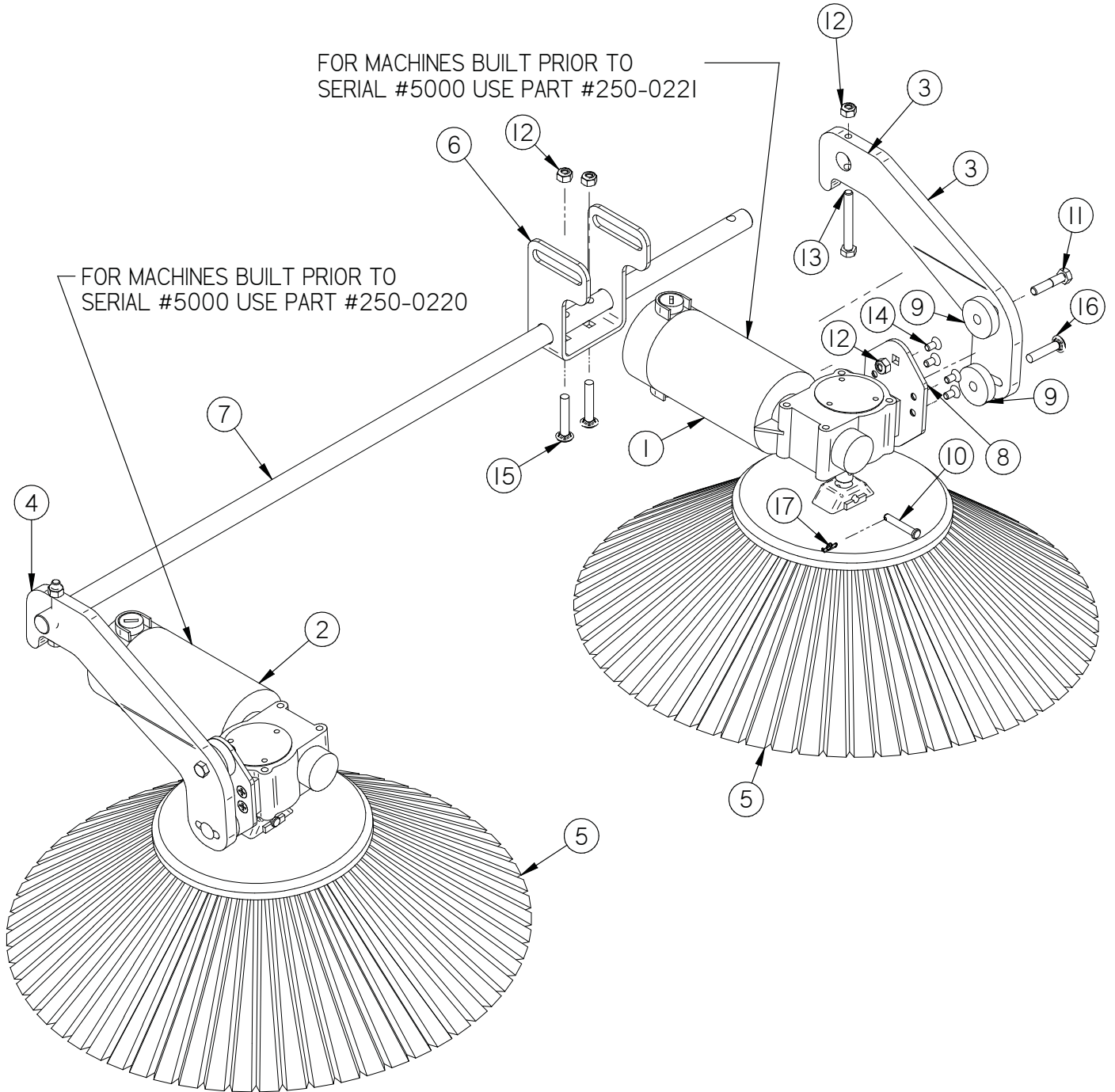


TO ORDER DROP PLATE  
USE PART #250-7320A  
(2) 37-7318 INCLUDED

TO ORDER MOTOR  
SEPARATELY USE  
PART #370-8311

TO ORDER BRAKE  
SEPARATELY USE  
PART # 370-8323

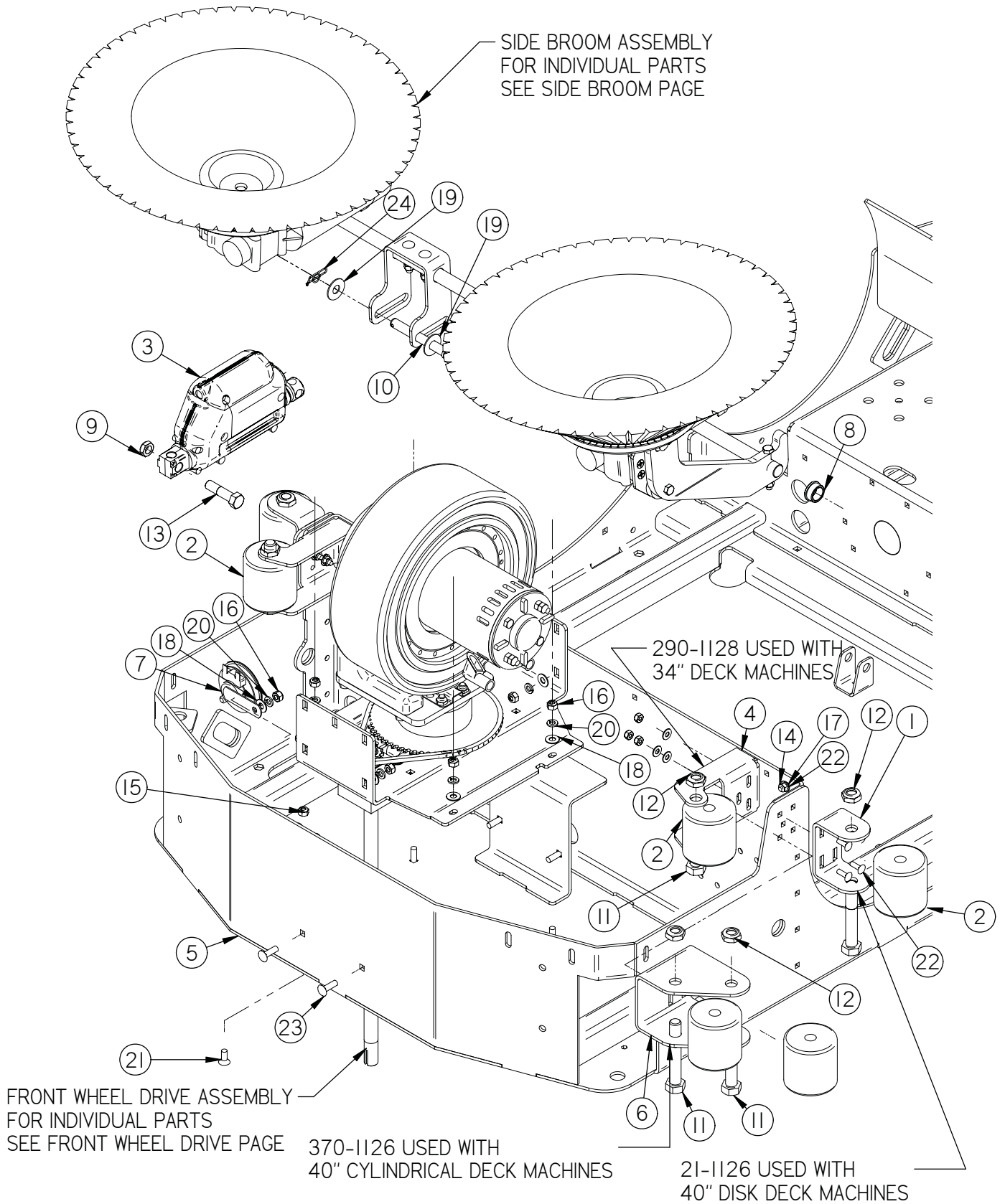
Item	Part No.	Part Description	Qty
1	250-7314	60 TOOTH STEERING SPROCKET	1
2	250-7327	STEERING CHAIN	1
3	250-7328	WIRE GUIDE	1
4	250-7332	STEERING SPINDLE	1
5	275-7120	STEERING SHAFT, LOWER	1
6	290-2780	TERMINAL BOOT, BLACK	1
7	290-9557	WHEEL DRIVE ASS'Y	1
8	37-7319	STEERING SHAFT SEAL	2
9	37-7320	PRE LOAD SLEEVE	1
10	37-7321	SLOTTED NUT, 2.0 - 12	1
11	370-7317	TAPERED ROLLER BEARING	2
12	370-7321	PRE LOAD SLEEVE	1
13	370-7326	PIVOT PLATE	2
14	370-7332	1.25" DIA. STEERING SPINDLE	1
15	370-8374	BEARING SEAL	1
16	370-9557	DRIVE GUARD	2
17	5-826	10 TOOTH SPROCKET	1
18	5-831	MASTER LINK	1
19	8-278	TERMINAL BOOT, RED	1
20	8-723	BEARING BLOCK	1
21	8-723B	BEARING	2
22	H-0171004	JNYL 3/8- 24 SS	2
23	H-0172949	HCS 3/8"- 24 X 2" SS FULL THREADED	5
24	H-0172951	HCS 3/8"- 24 X 2-1/2" SS FULL THREADED	2
25	H-11115680	FB CASHD M10-1.5 X 30mm	6
26	H-23805	SHCS 1/4-28 X 7/8" GRADE 8 ALLOY	18
27	H-33372	SHAFT COLLAR, 3/8" ID	6
28	H-33376	SHAFT COLLAR, 3/4" ID X 9/16 LG	1
29	H-68013	SNAPRING 5/8"	1
30	H-70003	HCS 1/4"-20 X 3/4" SS	1
31	H-70103	HCS 3/8"-16 X 3/4" SS	2
32	H-70109	HCS 3/8"- 16 X 1-1/2" SS	4
33	H-70710	HN 1/4"- 20 SS	1
34	H-70712	HN 3/8"-16 SS	2
35	H-70732	HN 3/8"- 24 SS	1
36	H-71013	FW 1/4 ID X 5/8 OD SS	4
37	H-71017	FW 3/8 ID X 7/8 OD SS	6
38	H-71063	LW 1/4" SS	5
39	H-71067	LW 3/8" SS	6
40	H-73754	BHSCS 1/4 - 20 X 3/4" SS	4
41	H-81983	5/16" X 1/4" KURL SET SCREW	1
42	H-K1432	3/16" X 1/2" KEY	1
43	M-938IT24	S-HOOK	1
44	M-9452K66	.125 X 2.25 X 2.5 O-RING.par	1



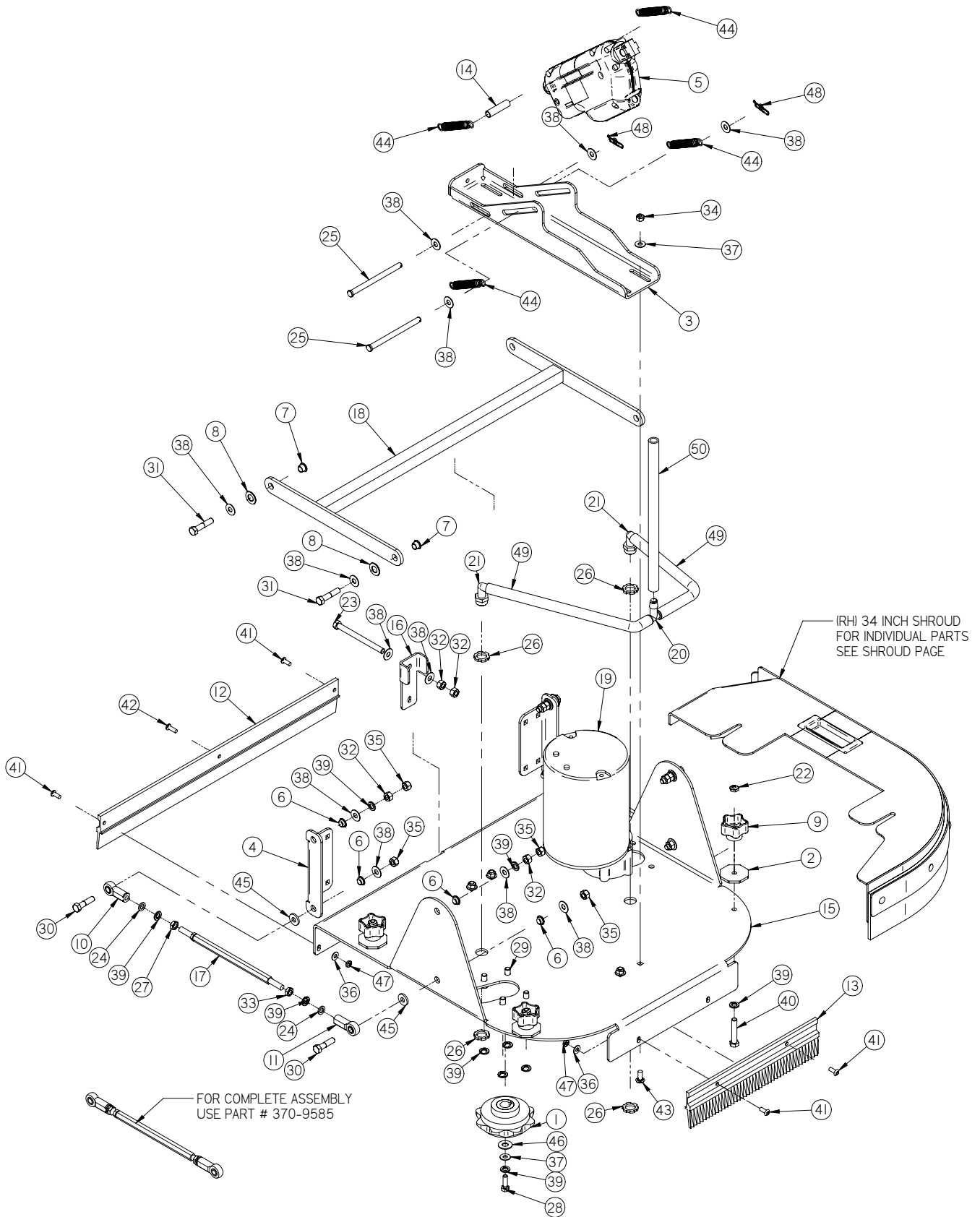


Item	Part No.	Part Description	Qty.
1	250-0222	(LH) SIDE BROOM MOTOR, 36V 106 RPM (44:1)	1
2	250-0223	(RH) SIDE BROOM MOTOR, 36V 106 RPM (44:1)	1
3	250-4420	SIDE BROOM LIFT ARM (LH)	1
4	250-4421	SIDE BROOM LIFT ARM (RH)	1
5	370-402	19" SIDE BROOM POLYPROPYLENE	2
6	370-4422	SIDE BROOM PIVOT	1
7	370-4620	SIDE BROOM AXLE SHAFT	1
8	390-1170	SIDE BROOM MTG PLATE	2
9	4-446	GROMMET-3/8 ID X 1-1/2 OD X .375	4
10	H-0156730	1/4" X 1 1/2" CLEVIS PIN	2
11	H-70059	HCS 5/16"- 18 X 1-1/2"	2
12	H-70861	NYLOK 5/16" - 18 SS	8
13	H-71183	HCS 5/16"- 18 X 2-1/2" FULL THREAD SS	2
14	H-72704	FHP 1/4"- 20 X 1/2" SS	8
15	H-74401	CB 5/16"- 18 X 1-3/4" SS	2
16	H-74432	CB 5/16"- 18 X 1-1/2" SS	2
17	H-RUE8	RUE RING COTTER	2

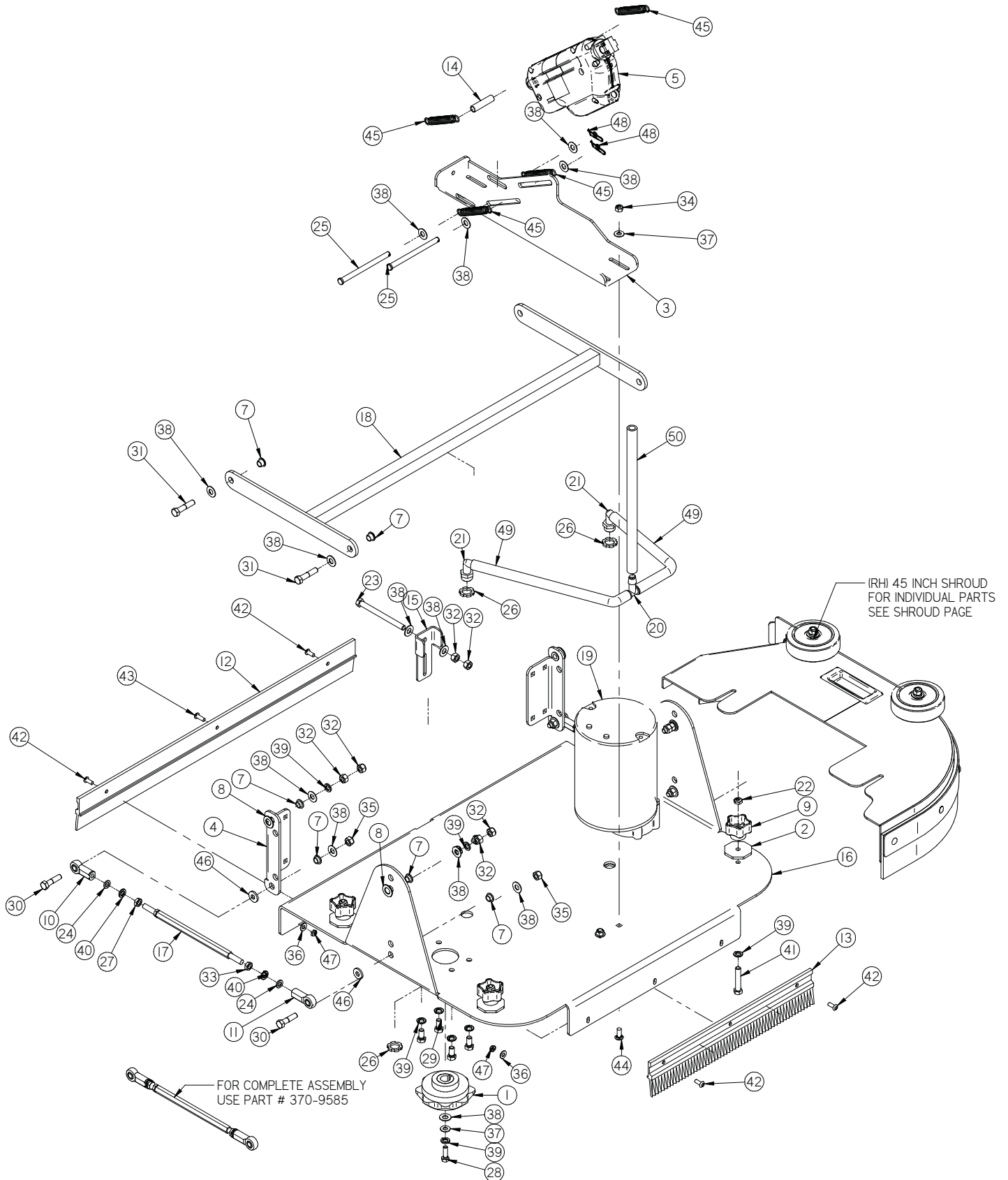
# 10 Front Wheel and Side Brooms



Item	Part No.	Part Description	Qty.
1	21-1126	ROLLER BRACKET	2
2	21-1127	ROLLER	6
3	250-2240	2" STROKE 36V ACTUATOR 450 LB LOAD	1
4	290-1128	LOWER ROLLER BRACKET	2
5	370-1100	MAIN FRAME	1
6	370-1126	DOUBLE ROLLER BRACKET (40")	1
7	370-2940	HORN	1
8	4-4230	3/4" X 1" X 1/2" FLG BEARING	2
9	H-0129159	JNYL, 1/2"-13, 18-8 SS	1
10	H-0156777	1/2" X 4" CLEVIS PIN	1
11	H-11319	HB 5/8" - 11 X 4"	6
12	H-37038	JNYL 5/8" - 11	6
13	H-70211	HCS 1/2"-13 X 2.0" SS	1
14	H-70860	NYLOK 1/4"- 20 SS	9
15	H-70861	NYLOK 5/16" - 18 SS	1
16	H-70861	NYLOK 5/16" - 18 SS	8
17	H-71013	FW 1/4 ID X 5/8 OD SS	8
18	H-71015	FW 5/16 ID X 3/4 OD SS	7
19	H-71021	FW 1/2 ID X 1-1/4 OD SS	2
20	H-71065	LW 5/16" SS	8
21	H-73907	FHSCS 5/16"- 18 X 3/4" SS	1
22	H-74419	CB 1/4"- 20 X .75" SS	13
23	H-74430	CB 5/16"- 18 X 1" SS	8
24	H-RUE22	1/2" RUE RING COTTER	1

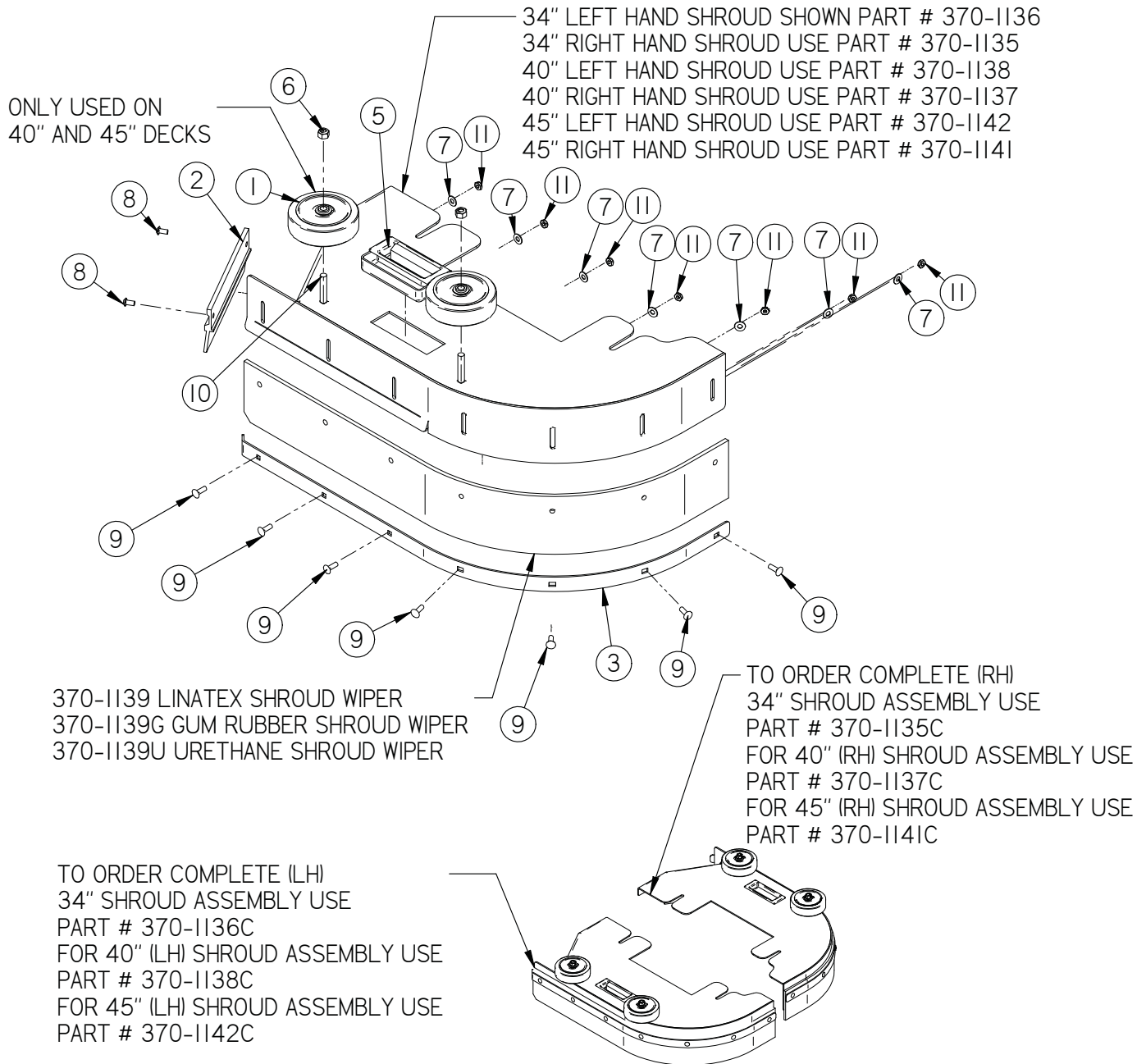


Item	Part No.	Part Description	Qty.
1	21-5000	BRUSH DRIVER	2
2	250-1084	SHROUD ADJUSTMENT KNOB	4
3	250-1103	DISK SCRUB DECK BRACKET	1
4	250-1265	SCRUB ARM BRACKET	2
5	250-2210	4" STROKE 36V ACTUATOR 1000 LB LOAD	1
6	290-1233	3/8" ID, 1/2" OD, 1/4" LG BEARING	8
7	290-1245	3/8" ID, 1/2" OD, 3/8" LG, FLANGE BEARING	4
8	290-1247	BRONZE THRUST BEARING, .50" ID X 1.0" OD X 1/16" TH	4
9	290-5787	STAR KNOB, 3/8-24 THREAD	4
10	290-9584	ROD END, 3/8-24 LEFT HAND THREAD	2
11	290-9585	ROD END, 3/8-24 RIGHT HAND THREAD	2
12	370-0015	FRONT DISK DECK CURTAIN	1
13	370-0016	REAR DISK DECK CURTAIN	1
14	370-1081	SLEEVE BEARING	1
15	370-4020	DISK SCRUB DECK	1
16	370-4022	ACTUATOR ADJUSTMENT BRACKET	1
17	370-9584	ADJUSTABLE LATERAL ARM BODY	2
18	370-9586	LATERAL ARM (DISK)	1
19	390-2222	MOTOR 36V 1.0 HP X 200 RPM	2
20	5-446	1/2" PLASTIC BARB TEE	1
21	5-447	1/2 NPT X 1/2" BARB ELBOW	2
22	H-0171004	JNYL 3/8- 24 SS	4
23	H-0172940	HCS 3/8"- 24 X 4.5" FULL THREAD SS	1
24	H-02949	3/8 ID X 5/8 OD SHIM	4
25	H-04804	3/8" X 5" CLEVIS PIN	2
26	H-07005	1/2" NPT LOCKNUT	4
27	H-36956	LH HX JAM .375-24 SS	2
28	H-70055	HCS 5/16"- 18 X 1" SS	2
29	H-70103	HCS 3/8"-16 X 3/4" SS	8
30	H-70109	HCS 3/8"- 16 X 1-1/2" SS	4
31	H-70110	HCS 3/8"- 16 X 1-3/4" SS	4
32	H-70712	HN 3/8"-16 SS	6
33	H-70832	HX JAM .375-24 SS	2
34	H-70861	NYLOK 5/16" - 18 SS	4
35	H-70862	NYLOK 3/8"-16 SS	8
36	H-71013	FW 1/4" X 5/8" SS	5
37	H-71015	FW 5/16" X 3/4" SAE SS	6
38	H-71017	FW 3/8" X 7/8" SS	18
39	H-71067	LW 3/8" SS	22
40	H-72949	HCS 3/8"- 24 X 2" SS FULL THREADED	4
41	H-73753	BHSCS 1/4 - 20 X 5/8" SS	4
42	H-73754	BHSCS 1/4 - 20 X 3/4" SS	1
43	H-74429	CB 5/16"- 18 X 3/4" SS	4
44	H-96544	SPRING, 4-1/8" LG X 9/16" OD (42E)	4
45	H-98025	FW 3/8" GRADE 8	4
46	H-99001	FW 3/8" SS	2
47	H-NJ04C	JNYL 1/4" - 20 SS	5
48	H-RUE14	3/8" RUE RING COTTER	2
49	T-050R1400	1/2" ID X 14" LG WIRE REINF. CLEAR TUBE	2
50	T-050R2100	1/2" X 21" LG. REINFORCED HOSE	1



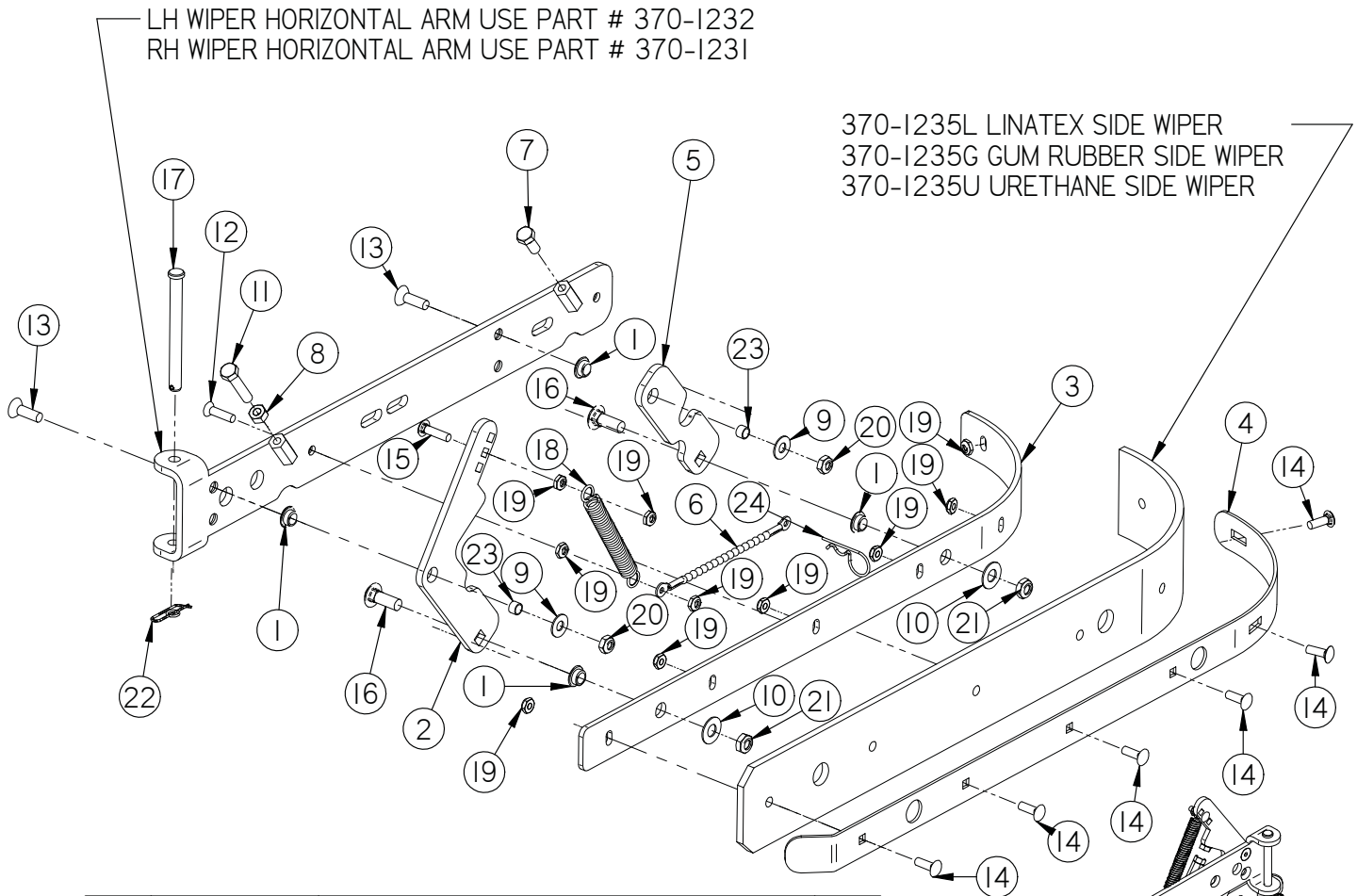
Item	Part No.	Part Description	Qty.
1	21-5000	BRUSH DRIVER	2
2	250-1084	SHROUD ADJUSTMENT KNOB	4
3	250-1103	DISK SCRUB DECK BRACKET	1
4	250-1265	SCRUB ARM BRACKET	2
5	250-2210	4" STROKE 36V ACTUATOR 1000 LB LOAD	1
6	290-1233	3/8" ID, 1/2" OD, 1/4" LG BEARING	8
7	290-1245	3/8" ID, 1/2" OD, 3/8" LG, FLANGE BEARING	4
8	290-1247	BRONZE THRUST BEARING, .50" ID X 1.0" OD X 1/16" TH	4
9	290-5787	STAR KNOB, 3/8-24 THREAD	4
10	290-9584	ROD END, 3/8-24 LEFT HAND THREAD	2
11	290-9585	ROD END, 3/8-24 RIGHT HAND THREAD	2
12	370-0022	FRONT DISK DECK CURTAIN	1
13	370-0023	REAR DISK DECK CURTAIN	1
14	370-1081	SLEEVE BEARING	1
15	370-4022	DISK DECK HEIGHT ADJUSTMENT	1
16	370-4023	45" DISK SCRUB DECK	1
17	370-9584	ADJUSTABLE LATERAL ARM BODY	2
18	370-9589	LATERAL ARM (DISK)	1
19	390-2222	MOTOR 36V 1.0 HP X 200 RPM	2
20	5-446	1/2" PLASTIC BARB TEE	1
21	5-447	1/2" NPT X 1/2" BARB ELBOW	2
22	H-0171004	JNYL 3/8- 24 SS	4
23	H-0172940	HCS 3/8"- 24 X 4.5" FULL THREAD SS	1
24	H-02949	3/8 ID X 5/8 OD SHIM	4
25	H-04804	3/8" X 5" CLEVIS PIN	2
26	H-07005	1/2" NPT LOCKNUT	4
27	H-36956	LH HX JAM .375-24 SS	2
28	H-70055	HCS 5/16"- 18 X 1" SS	2
29	H-70103	HCS 3/8"-16 X 3/4" SS	8
30	H-70109	HCS 3/8"- 16 X 1-1/2" SS	4
31	H-70110	HCS 3/8"- 16 X 1-3/4" SS	4
32	H-70712	HN 3/8"-16 SS	6
33	H-70832	HX JAM .375-24 SS	2
34	H-70861	NYLOK 5/16" - 18 SS	4
35	H-70862	NYLOK 3/8"-16 SS	8
36	H-71013	FW 1/4 ID X 5/8 OD SS	5
37	H-71015	FW 5/16 ID X 3/4 OD SS	6
38	H-71017	FW 3/8 ID X 7/8 OD SS	20
39	H-71067	LW 3/8" SS	18
40	H-71067	LW 3/8" SS	4
41	H-72949	HCS 3/8"- 24 X 2" SS FULL THREADED	4
42	H-73753	BHSCS 1/4 - 20 X 5/8" SS	4
43	H-73754	BHSCS 1/4 - 20 X 3/4" SS	1
44	H-74429	CB 5/16"- 18 X 3/4" SS	4
45	H-96544	SPRING, 4-1/8" LG X 9/16" OD (42E)	4
46	H-98025	FW 3/8" GRADE 8	4
47	H-NJ04C	JNYL 1/4" - 20 SS	5
48	H-RUE14	3/8" RUE RING COTTER	2
49	T-050R1400	1/2" ID X 14" LG WIRE REINF. CLEAR TUBE	2
50	T-050R2100	1/2" X 21" LG. REINFORCED HOSE	1

# 16 Disc Shrouds

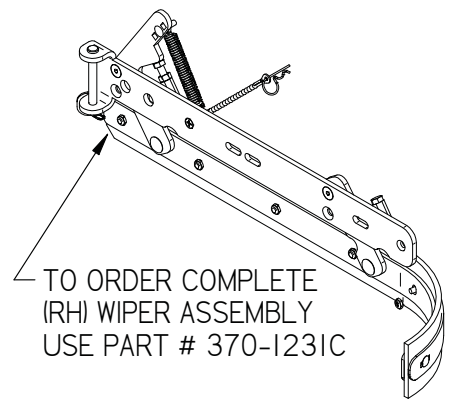
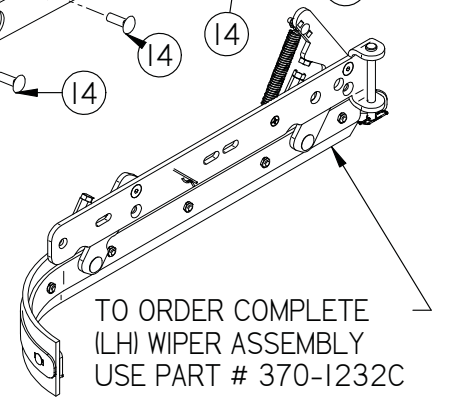


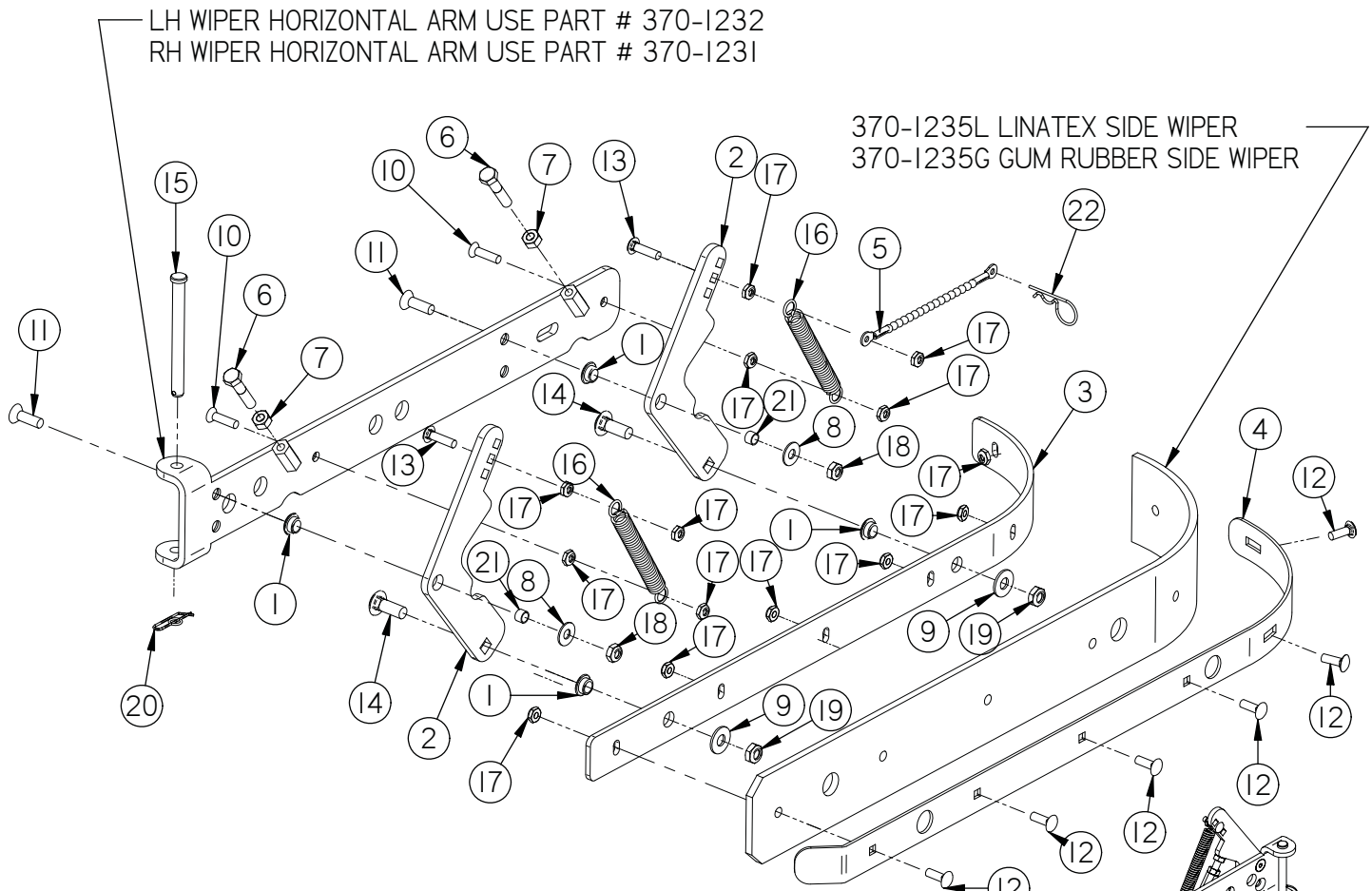
Item	Part No.	Part Description	Qty.
1	190-3030	4.0" WHEEL (GRAY)	2
2	370-0017	40" SHROUD CURTAIN	1
3	370-1140	SHROUD CURTAIN BAND (34" & 40")	1
4*	370-1239	INNER SHROUD CURTAIN	1
5	5-849	RECESSED HANDLE	1
6	H-70862	NYLOK 3/8"-16 SS	2
7	H-71013	FW 1/4 ID X 5/8 OD SS	7
8	H-73752	BHSCS 1/4 - 20 X 1/2" SS	2
9	H-74419	CB 1/4"- 20 X .75" SS	7
10	H-74439	CB 3/8"- 16 X 2.0" SS	2
11	H-NJ04C	JNYL 1/4" - 20 SS	9



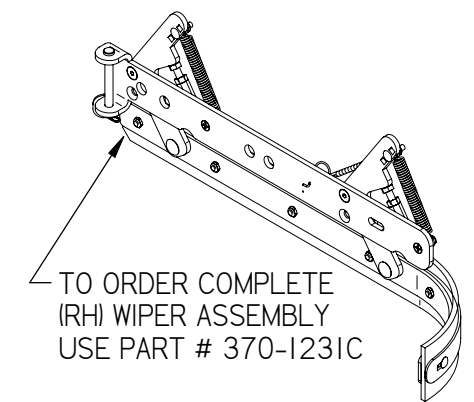
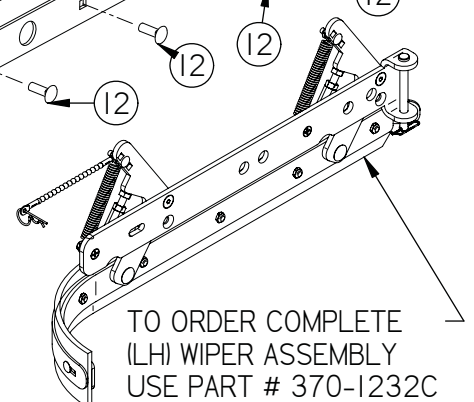


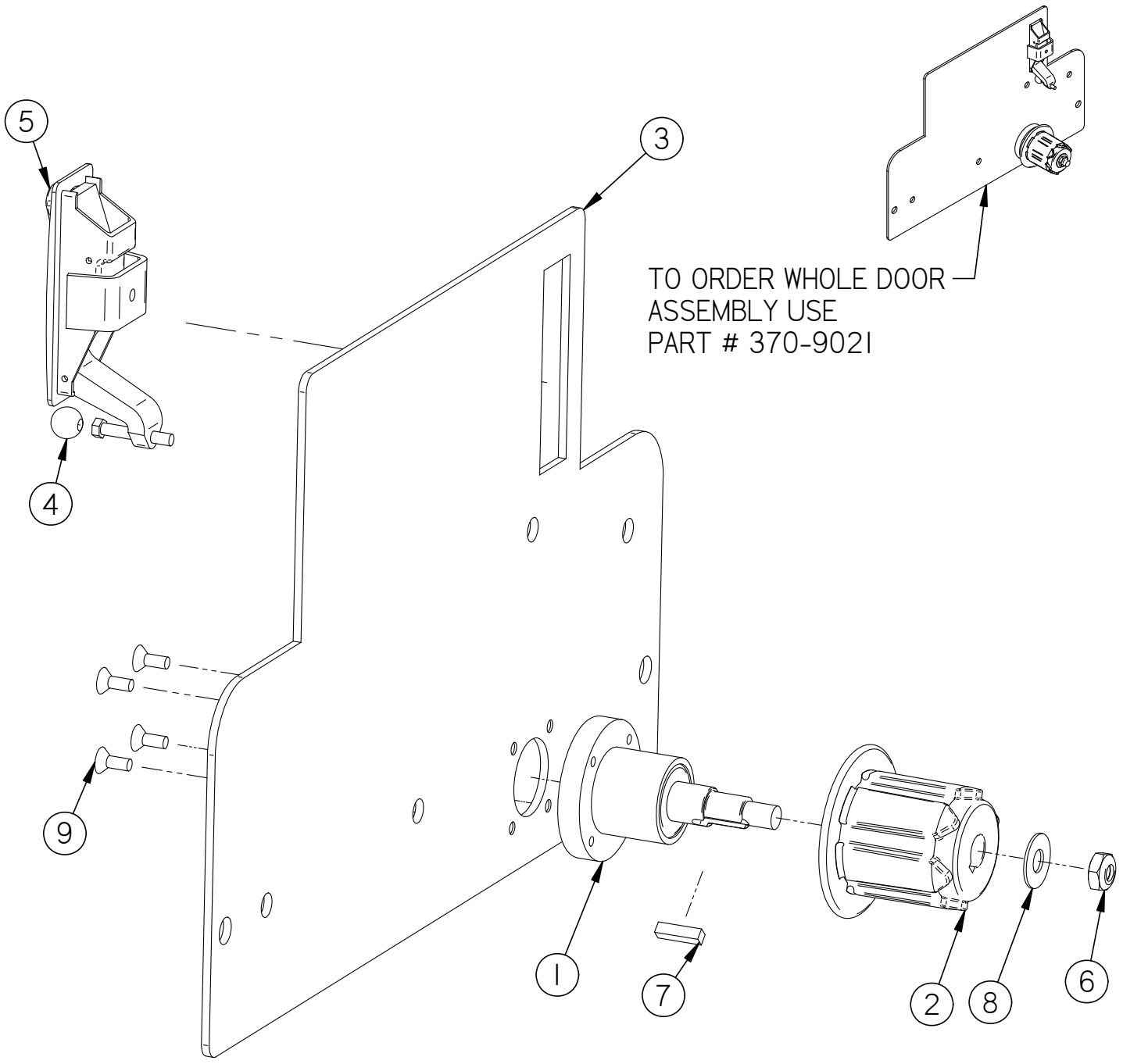
Item	Part Number	Part Description	Qty
1	290-1233	3/8" ID, 1/2" OD, 1/4" LG BEARING	4
2	370-1233	SHROUD VERTICAL ARM	1
3	370-1234	INNER CYLINDRICAL WIPER BAND	1
4	370-1236	OUTER CYLINDRICAL WIPER BAND	1
5	370-1333	SHROUD REAR VERTICAL ARM	1
6	370-4060	6" LANYARD	1
7	H-70053	HCS 5/16"- 18 X 3/4" SS	1
8	H-70711	HN 5/16"- 18 SS	1
9	H-71015	FW 5/16 ID X 3/4 OD SS	2
10	H-71017	FW 3/8 ID X 7/8 OD SS	2
11	H-71180	HCS 5/16"- 18 X 1-1/2" FULLY THREADED	1
12	H-72710	FHP 1/4"- 20 X 1" SS	1
13	H-73908	FHSCS 5/16"- 18 X 1" SS	2
14	H-74419	CB 1/4"- 20 X .75" SS	6
15	H-74420	CB 1/4"- 20 X 1.0" SS	1
16	H-74436	CB 3/8"- 16 X 1.0" SS	2
17	H-923903	3/8" X 4" CLEVIS PIN	1
18	H-96544	SPRING, 4-1/8" LG X 9/16" OD (42E)	1
19	H-NJ04C	JNYL 1/4" - 20 SS	10
20	H-NJ05C	JNYL 5/16"- 18 SS	2
21	H-NJ06C	JNYL 3/8- 16 SS	2
22	H-RUE14	3/8" RUE RING COTTER	1
23	M-6391K403	.312 ID X .375 OD X .25 LG BEARING SLEEVE	2
24	M-92391A044	HAIRPIN, 5/16" - 3/8" X 1-7/16" S/S	1



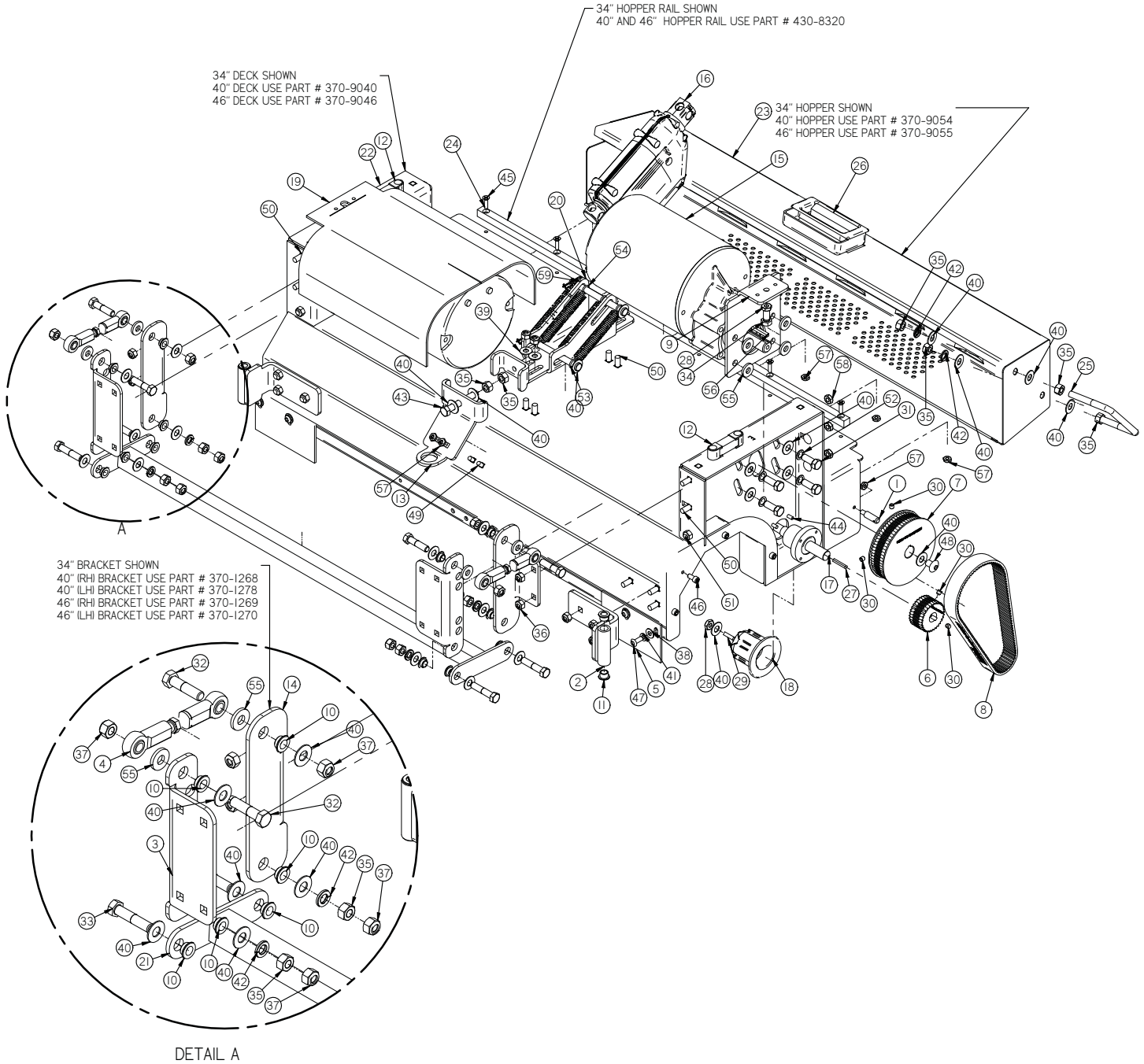


Item	Part Number	Part Description	Qty
1	290-1233	3/8" ID, 1/2" OD, 1/4" LG BEARING	4
2	370-1233	SHROUD VERTICAL ARM	2
3	370-1234	INNER CYLINDRICAL WIPER BAND	1
4	370-1236	OUTER CYLINDRICAL WIPER BAND	1
5	370-4060	6" LANYARD	1
6	H-70059	HCS 5/16"- 18 X 1-1/2"	2
7	H-70711	HN 5/16"- 18 SS	2
8	H-71015	FW 5/16" X 3/4" SAE SS	2
9	H-71017	FW 3/8" X 7/8" SS	2
10	H-72710	FHP 1/4"- 20 X 1" SS	2
11	H-73908	FHSCS 5/16"- 18 X 1" SS	2
12	H-74419	CB 1/4"- 20 X .75" SS	6
13	H-74420	CB 1/4"- 20 X 1.0" SS	2
14	H-74436	CB 3/8"- 16 X 1.0" SS	2
15	H-923903	3/8" X 4" CLEVIS PIN	1
16	H-96544	SPRING, 4-1/8" LG X 9/16" OD (42E)	2
17	H-NJ04C	JNYL 1/4" - 20 SS	14
18	H-NJ05C	JNYL 5/16"- 18 SS	2
19	H-NJ06C	JNYL 3/8- 16 SS	2
20	H-RUE14	3/8" RUE RING COTTER	1
21	M-6391K403	.312 ID X .375 OD X .25 LG BEARING SLEEVE	2
22	M-92391A044	HAIRPIN, 5/16" - 3/8" X 1-7/16" S/S	1

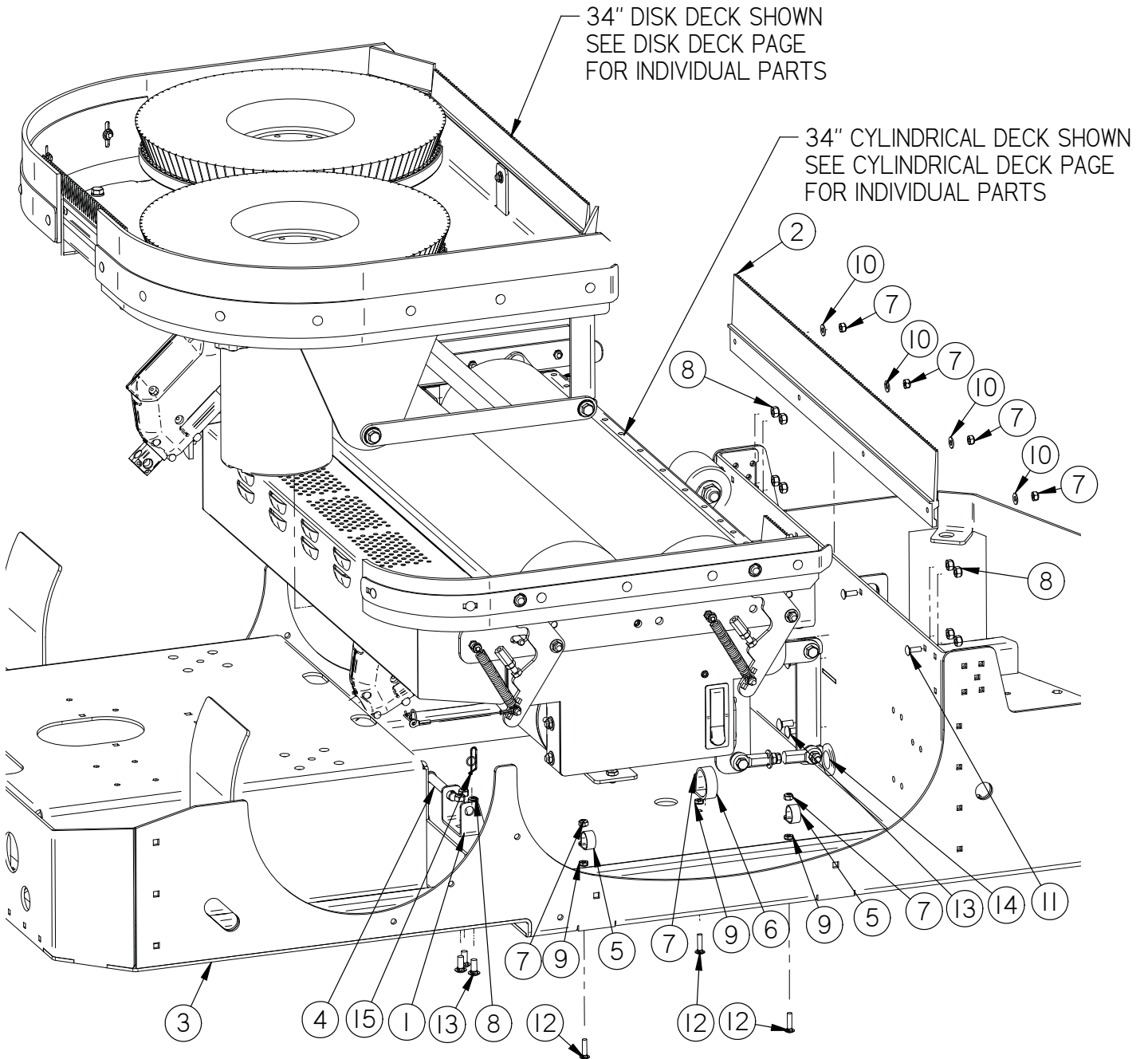




Item	Part No.	Part Description	Qty.
1	370-8241A	IDLER DRIVE BEARING	1
2	370-8370	BRUSH DRIVER/IDLER (NEW STYLE)	1
3	370-9022	DRIVE COVER	1
4	5-100	GROMMET	1
5	5-130	DOOR LATCH	1
6	H-0171004	JNYL 3/8- 24 SS	1
7	H-0953152	3/16" X 3/4" KEY	1
8	H-71017	FW 3/8" X 7/8" SS	1
9	H-72682	FHP #10-32 X 1/2" SS	4

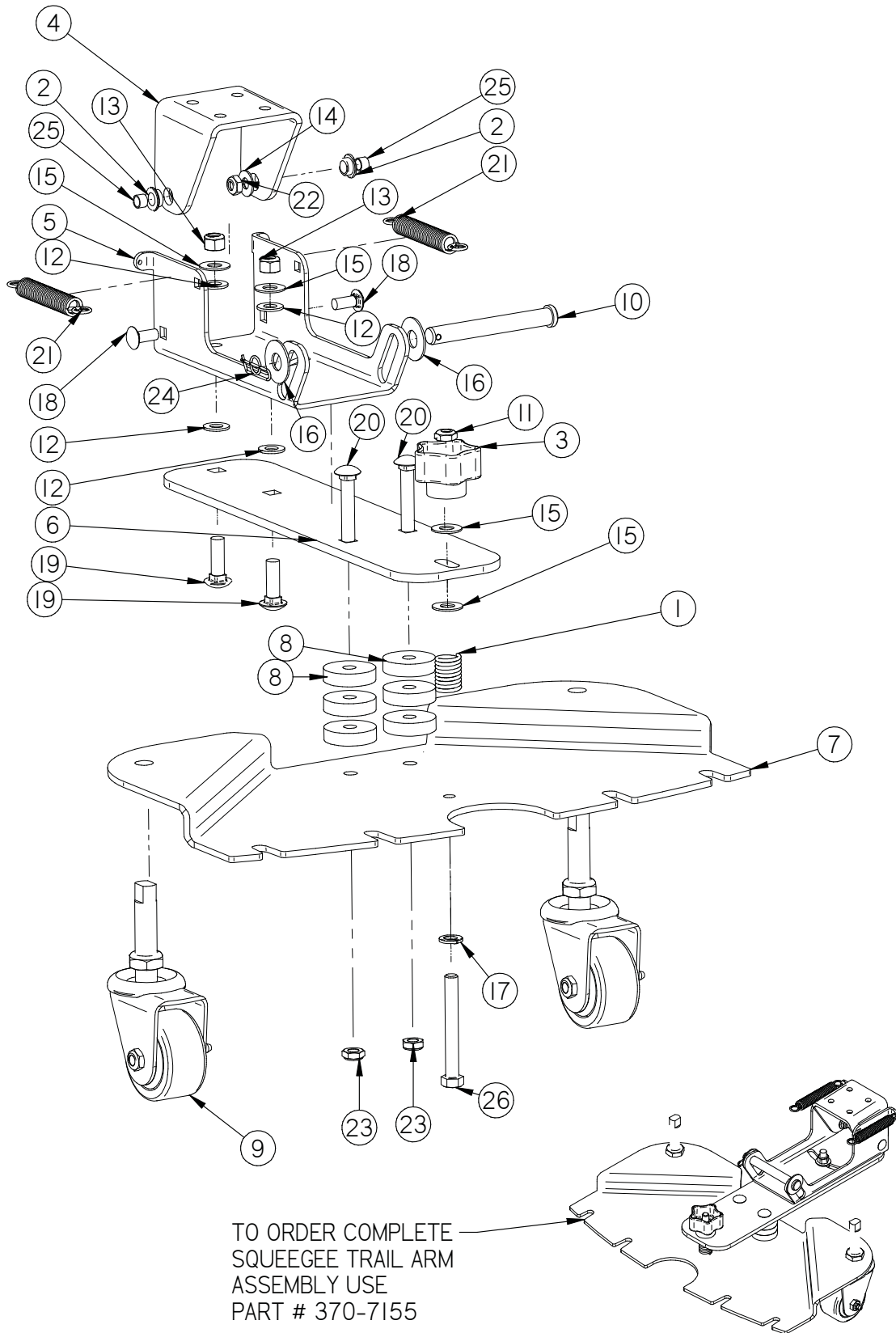


Item	Part No.	Part Description	Qty.
1	250-0001	RETAINER PIN	2
2	250-1230	SHROUD HINGE	2
3	250-1265	SCRUB ARM BRACKET	2
4	250-8431	ADJUSTABLE LATERAL ARM	2
5	250-9010	CYLINDRICAL CURTAIN	2
6	253-8215	TIMING SPROCKET 32 TOOTH	2
7	253-8225	TIMING SPROCKET 68 TOOTH	2
8	253-8230	565-5M-25 HI-PERFORMANCE PD PLUS BELT	2
9	253-9002	MOTOR ADJ BRACKET	2
10	290-1233	3/8" ID, 1/2" OD, 1/4" LG BEARING	12
11	290-1245	3/8" ID, 1/2" OD, 3/8" LG, FLANGE BEARING	4
12	300-4030	LEVEL	2
13	370-1237	ROLLER BRACKET	1
14	370-1267	34" CYLINDRICAL LIFTING BRACKET	2
15	370-2220	MOTOR 36V 1.5 HP X 350 RPM, 2.2" SHAFT	2
16	370-2240	2" STROKE 36V ACTUATOR 450 LB LOAD	1
17	370-8240A	BEARING HOUSING/BEARING	2
18	370-8370	BRUSH IDLER	2
19	370-9002	MOTOR SHIELD	2
20	370-9003	CYLINDRICAL LIFTING BRACKET	1
21	370-9020	370 CYL. LATERAL ARM	1
22	370-9034	CYLINDRICAL BRUSHHEAD, 34"	1
23	370-9053	34" HOPPER	1
24	390-8320	HOPPER RAIL	1
25	5-834	HOPPER HANDLE	1
26	5-849	RECESSED HANDLE	1
27	H-01125	3/16" X 1" KEY	2
28	H-0171004	JNYL 3/8- 24 SS	4
29	H-0953152	3/16" X 3/4" KEY	2
30	H-25379	SETSCREW, KCP, 1/4"-20 X 1/4"	8
31	H-70105	HCS 3/8"- 16 X 1" SS	8
32	H-70109	HCS 3/8"- 16 X 1-1/2" SS	4
33	H-70110	HCS 3/8"- 16 X 1-3/4" SS	4
34	H-70142	HCS 3/8"- 24 X 1" S/S	2
35	H-70712	HN 3/8"-16 SS	10
36	H-70861	NYLOK 5/16" - 18 SS	16
37	H-70862	NYLOK 3/8"-16 SS	8
38	H-71013	FW 1/4 ID X 5/8 OD SS	4
39	H-71015	FW 5/16 ID X 3/4 OD SS	10
40	H-71017	FW 3/8 ID X 7/8 OD SS	34
41	H-71063	LW 1/4" SS	4
42	H-71067	LW 3/8" SS	6
43	H-71190	HCS 3/8"- 16 X 2-1/2" SS (FULLY THREADED)	1
44	H-72682	FHP #10-32 X 1/2" SS	8
45	H-72684	FHP 10-32 X 3/4" SS	6
46	H-73459	SHCS 1/4-20 X 1/2 SS	8
47	H-73753	BHSCS 1/4 - 20 X 5/8" SS	4
48	H-73811	BHSCS 3/8"- 16 X 1/2" SS	2
49	H-74417	CB 1/4"- 20 X .5" SS	2
50	H-74429	CB 5/16"- 18 X 3/4" SS	14
51	H-744??	CB 5/16"- 18 X 1/2" SS	8
52	H-90895	WASHER, SERRATED BELLEVILLE, 3/8", S/S	8
53	H-923903	3/8" X 4" CLEVIS PIN	2
54	H-96544	SPRING, 4-1/8" LG, 9/16 OD, (42E)	4
55	H-98025	FW 3/8" GRADE 8	12
56	H-K14320	3/16" X 1 1/4" KEY	2
57	H-NJ04C	JNYL 1/4" - 20 SS	10
58	H-NJ05C	JNYL 5/16"- 18 SS	6
59	H-RUE14	3/8" RUE RING COTTER	2



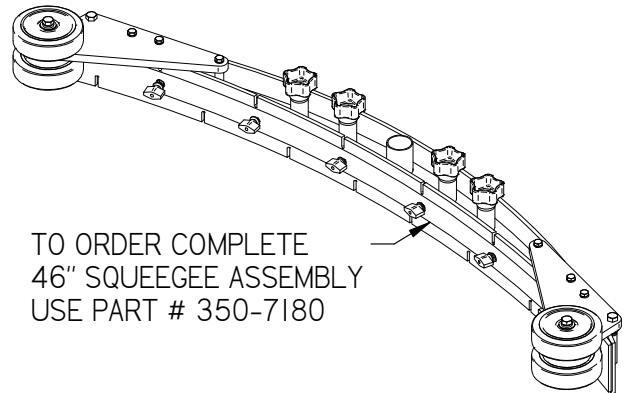
Item	Part No.	Part Description	Qty.
1	250-1102	SCRUB DECK LIFTING BRACKET	1
2	370-0019	FRONT WALL CURTAIN	1
3	370-1100	MAIN FRAME	1
4	H-0156776	1/2" X 3.5" CLEVIS PIN	1
5	H-32258	RUBBER LOOP CLAMP, 1.0" #16	2
6	H-3225T	RUBBER LOOP CLAMP, 1-1/2"	1
7	H-70860	NYLOK 1/4"- 20 SS	7
8	H-70861	NYLOK 5/16" - 18 SS	16
9	H-70925	KN 1/4-20 S/S	3
10	H-71013	FNW 1/4" X 5/8" SS	4
11	H-74419	CB 1/4"- 20 X .75" SS	3
12	H-74420	CB 1/4"- 20 X 1.0" SS	3
13	H-74429	CB 5/16"- 18 X 3/4" SS	6
14	H-9307K74	GROMMET, 1" ID X 1-3/4" OD BUNA-N	3
15	H-RUE22	1/2" RUE RING COTTER	1

# 24 Squeegee Trail Arm

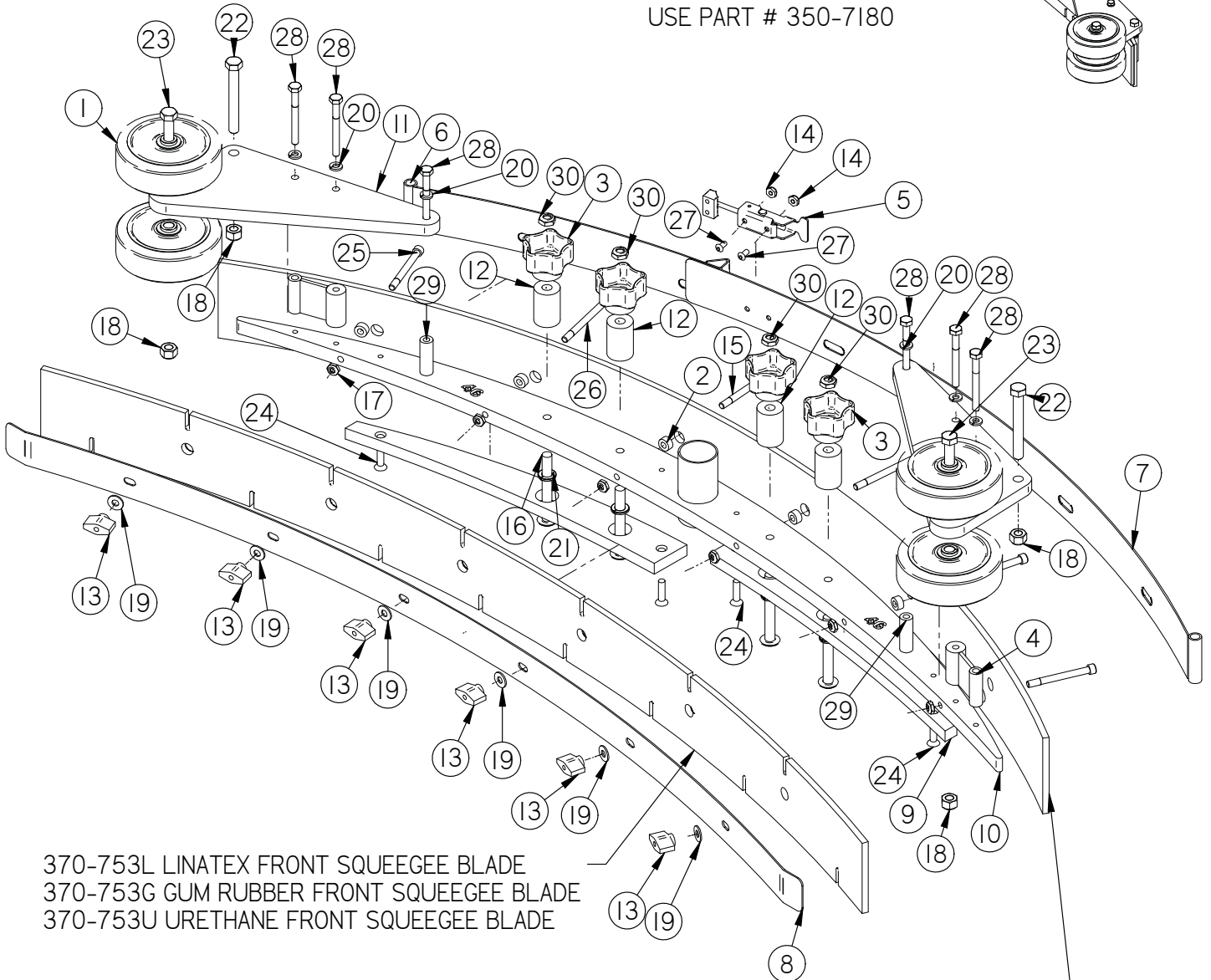




Item	Part No.	Part Description	Qty.
1	21-7240	SPRING, 3/4" X 1-7/8" LG X .105 DIA. WIRE	1
2	290-1233	3/8" ID, 1/2" OD, 1/4" LG BEARING	2
3	290-5787	STAR KNOB, 3/8-24 THREAD	1
4	370-5002	SQUEEGEE DRAG BRACKET	1
5	370-7140	SQUEEGEE SWING PLATE	1
6	370-7150	SQUEEGEE TRAIL ARM	1
7	370-7610	SQUEEGEE TRIANGLE PLATE	1
8	4-446	GROMMET-3/8 ID X 1-1/2 OD X .375	6
9	430-7570	CASTER	2
10	H-0156777	1/2" X 4" CLEVIS PIN	1
11	H-0171004	JNYL 3/8- 24 SS	1
12	H-4440024	FW 3/8" X 3/4" NYLON	4
13	H-70862	NYLOK 3/8"-16 SS	2
14	H-71015	FW 5/16 ID X 3/4 OD SS	2
15	H-71017	FW 3/8 ID X 7/8 OD SS	4
16	H-71021	FW 1/2 ID X 1-1/4 OD SS	2
17	H-71067	LW 3/8" SS	1
18	H-74429	CB 5/16"- 18 X 3/4" SS	2
19	H-74437	CB 3/8"- 16 X 1-1/4" SS	2
20	H-74439	CB 3/8"- 16 X 2.0" SS	2
21	H-96544	SPRING, 4-1/8" LG X 9/16" OD (42E)	2
22	H-NJ05C	JNYL 5/16"- 18 SS	2
23	H-NJ06C	JNYL 3/8- 16 SS	2
24	H-RUE22	1/2" RUE RING COTTER	1
25	M-6391K403	.312 ID X .375 OD X .25 LG BEARING SLEEVE	2
26	M-92240A362	HCS 3/8"- 24 X 3.0" SS	1



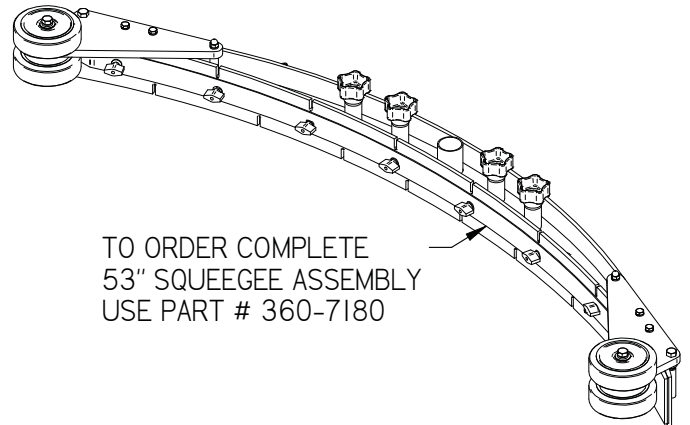
TO ORDER COMPLETE  
46" SQUEEGEE ASSEMBLY  
USE PART # 350-7180



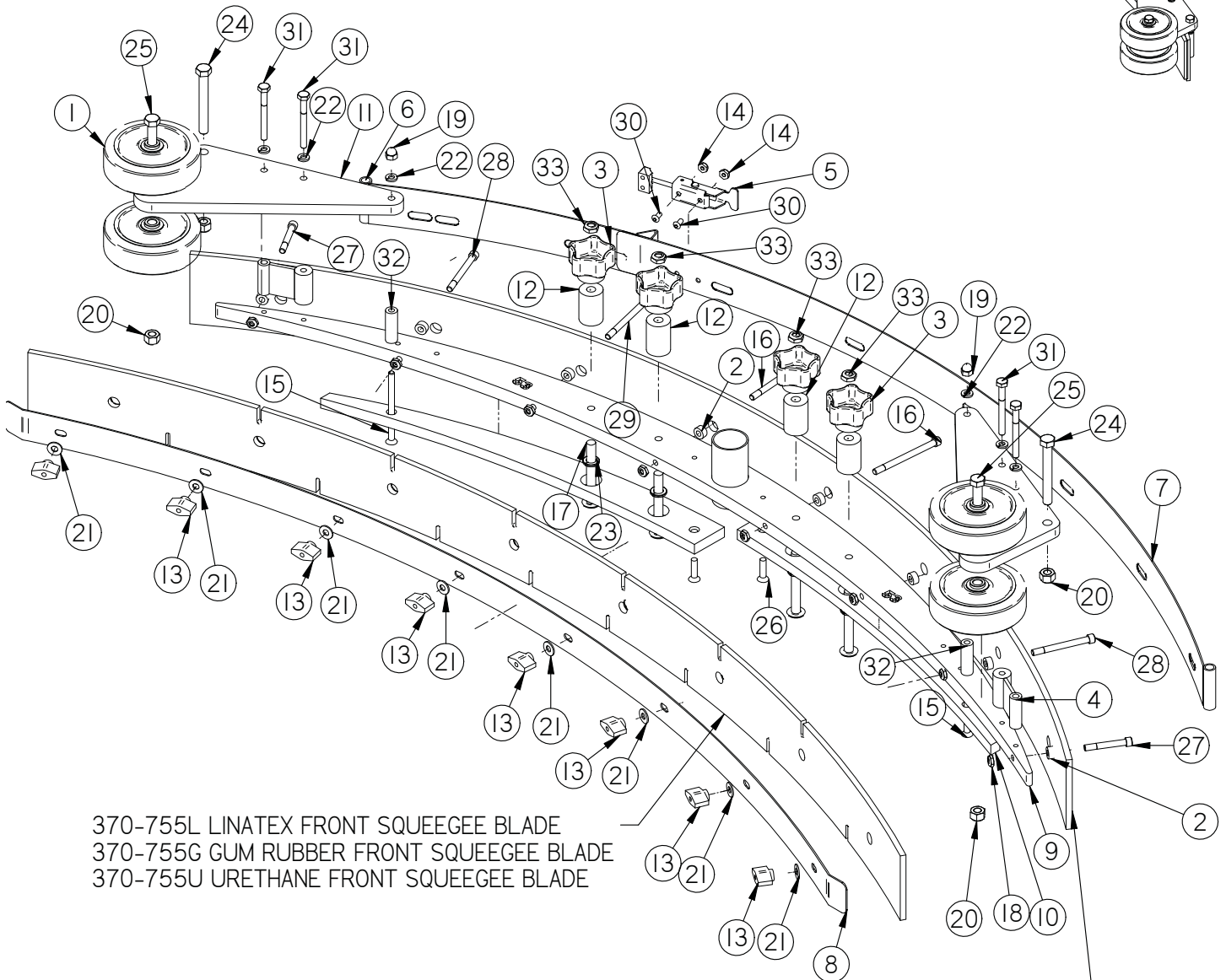
370-753L LINATEX FRONT SQUEEGEE BLADE  
370-753G GUM RUBBER FRONT SQUEEGEE BLADE  
370-753U URETHANE FRONT SQUEEGEE BLADE

370-752L LINATEX REAR SQUEEGEE BLADE  
370-752G GUM RUBBER REAR SQUEEGEE BLADE  
370-752U URETHANE REAR SQUEEGEE BLADE

Item	Part No.	Part Description	Qty.
1	190-3030	4.0" WHEEL (GRAY)	4
2	21-2211	SPACER 1/2 OD X 1/4"	6
3	290-5786	STAR KNOB, 3/8-16 THREAD	4
4	370-0007	BAND BRACKET HOLDER	2
5	370-0124	LATCH	1
6	370-6160	REAR SQUEEGEE BAND (RH) (46")	1
7	370-6161	REAR SQUEEGEE BAND (LH) (46")	1
8	370-6170	FRONT SQUEEGEE BAND (46")	1
9	370-6182	SQUEEGEE BODY BOTTOM (46")	2
10	370-6183	46" SQUEEGEE BODY	1
11	370-7183	SQUEEGEE CASTER BRACKET	2
12	370-8460	STANDOFF, 1.5"	4
13	5-418A	CLAMPING KNOB	6
14	H-0129155	JNYL #10-32, 18-8 S/S	2
15	H-0171135	SHCS 1/4-20 X 3-1/4 SS	2
16	H-0171299	BHSCS 3/8"- 16 X 3" SS	4
17*	H-37020	JNYL 1/4" - 20	6
18	H-70862	NYLOK 3/8"-16 SS	4
19	H-71013	FW 1/4" X 5/8" SS	6
20	H-71063	LW 1/4" SS	6
21	H-71067	LW 3/8" SS	4
22*	H-71191	HCS 3/8"- 16 X 3" SS	2
23	H-71193	HCS 3/8"- 16 X 4" SS	2
24	H-72710	FHP 1/4"- 20 X 1" SS	4
25	H-73468	SHCS 1/4-20 X 2.5 SS	2
26	H-73470	SHCS 1/4-20 X 3.0 SS	2
27	H-73742	BHSCS 10-32 X 3/8" SS	2
28	H-77013	HCS 1/4"- 20 X 2.5" SS	6
29	H-92321	.252 ID X .50 OD X 2.25 LG SPACER	2
30	H-NJ06C	JNYL 3/8- 16 SS	4



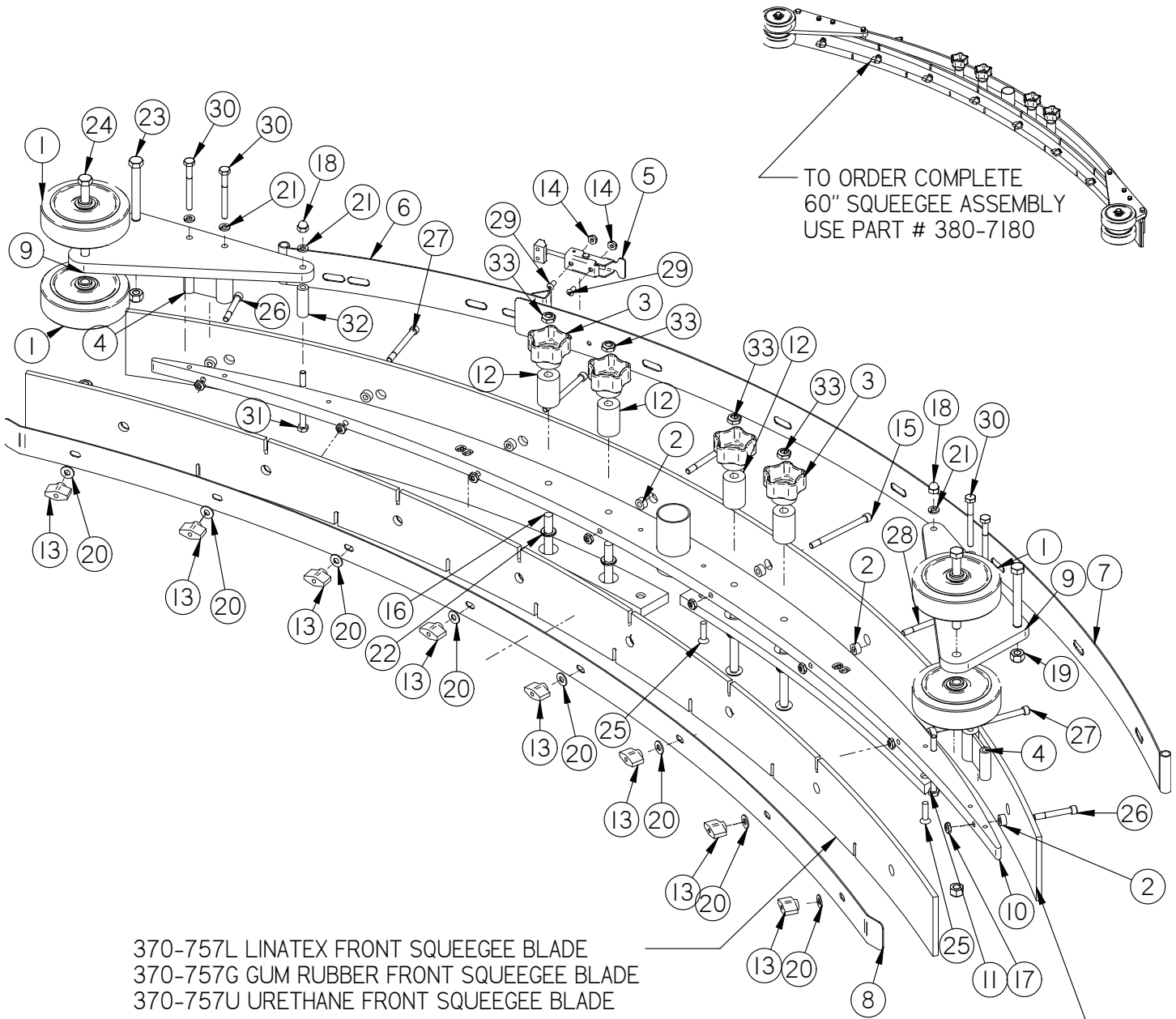
TO ORDER COMPLETE  
53" SQUEEGEE ASSEMBLY  
USE PART # 360-7180



370-755L LINATEX FRONT SQUEEGEE BLADE  
370-755G GUM RUBBER FRONT SQUEEGEE BLADE  
370-755U URETHANE FRONT SQUEEGEE BLADE

370-754L LINATEX REAR SQUEEGEE BLADE  
370-754G GUM RUBBER REAR SQUEEGEE BLADE  
370-754U URETHANE REAR SQUEEGEE BLADE

Item	Part No.	Part Description	Qty.
1	190-3030	4.0" WHEEL (GRAY)	4
2	21-2211	SPACER 1/2 OD X 1/4"	8
3	290-5786	STAR KNOB, 3/8-16 THREAD	4
4	370-0007	BAND BRACKET HOLDER	2
5	370-0124	LATCH	1
6	370-7160	REAR SQUEEGEE BAND (RH)	1
7	370-7161	REAR SQUEEGEE BAND (LH) 53"	1
8	370-7170	FRONT SQUEEGEE BAND	1
9	370-7181	53" SQUEEGEE BODY	1
10	370-7182	SQUEEGEE BODY BOTTOM	2
11	370-7183	SQUEEGEE CASTER BRACKET	2
12	370-8460	STANDOFF, 1.5"	4
13	5-418A	CLAMPING KNOB	8
14	H-0129155	JNYL #10-32, 18-8 S/S	2
15	H-0170133	FHP 1/4"- 20 X 3-1/2"	2
16	H-0171135	SHCS 1/4-20 X 3-1/4 SS	2
17	H-0171299	BHSCS 3/8"- 16 X 3" SS	4
18	H-37020	JNYL 1/4" - 20	8
19	H-37708	1/4-20 LC ACORN NUT	2
20	H-70862	NYLOK 3/8"-16 SS	4
21	H-71013	FW 1/4" X 5/8" SS	8
22	H-71063	LW 1/4" SS	6
23	H-71067	LW 3/8" SS	4
24	H-71191	HCS 3/8"- 16 X 3" SS	2
25	H-71193	HCS 3/8"- 16 X 4" SS	2
26	H-72710	FHP 1/4"- 20 X 1" SS	2
27	H-73465	SHCS 1/4-20 X 1.75 SS	2
28	H-73468	SHCS 1/4-20 X 2.5 SS	2
29	H-73470	SHCS 1/4-20 X 3.0 SS	2
30	H-73742	BHSCS 10-32 X 3/8" SS	2
31	H-77013	HCS 1/4"- 20 X 2.5" SS	4
32	H-92321	.252 ID X .50 OD X 2.25 LG SPACER	2
33	H-NJ06C	JNYL 3/8- 16 SS	4

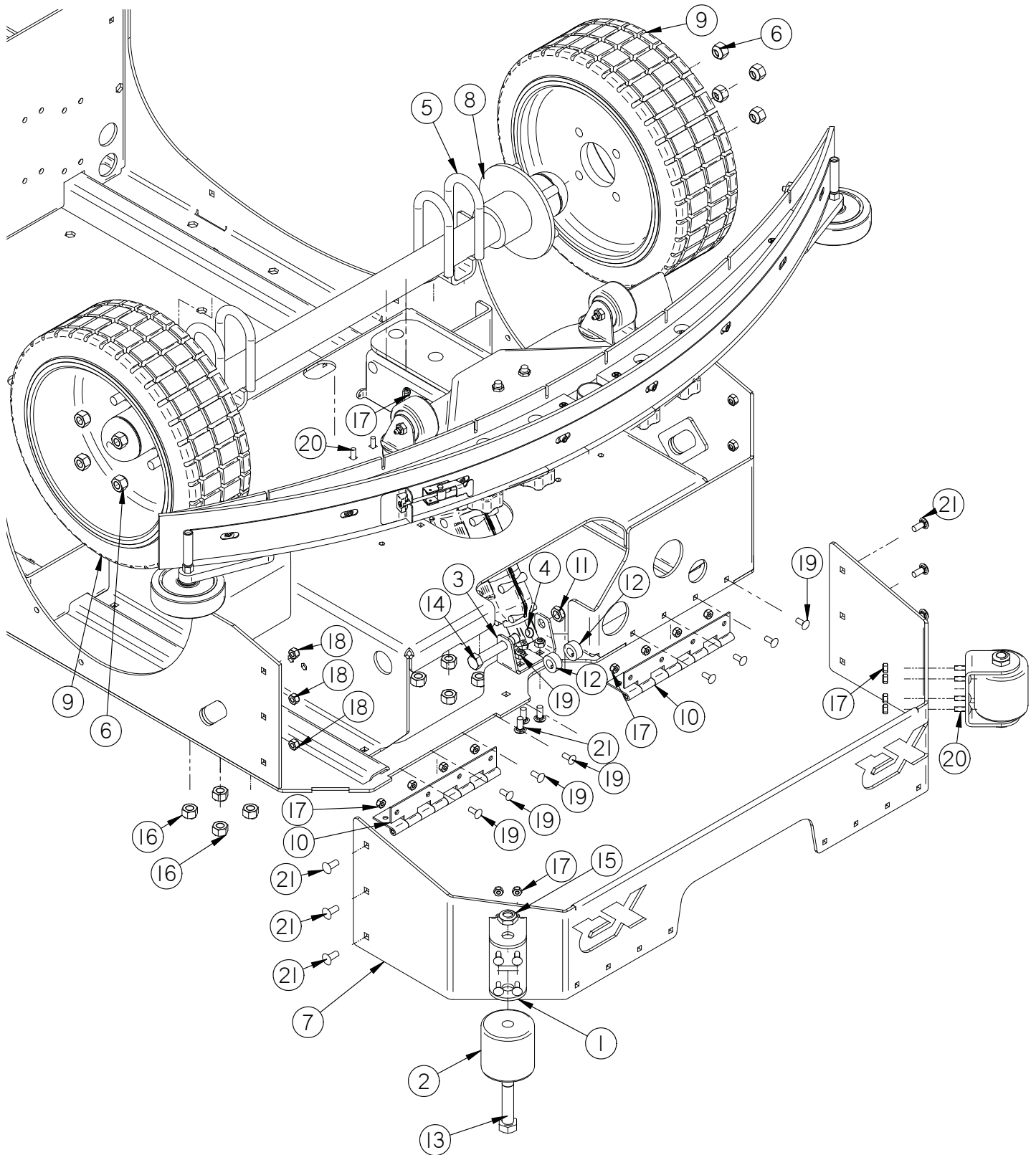


370-757L LINATEX FRONT SQUEEGEE BLADE  
 370-757G GUM RUBBER FRONT SQUEEGEE BLADE  
 370-757U URETHANE FRONT SQUEEGEE BLADE

370-756L LINATEX REAR SQUEEGEE BLADE  
 370-756G GUM RUBBER REAR SQUEEGEE BLADE  
 370-756U URETHANE REAR SQUEEGEE BLADE

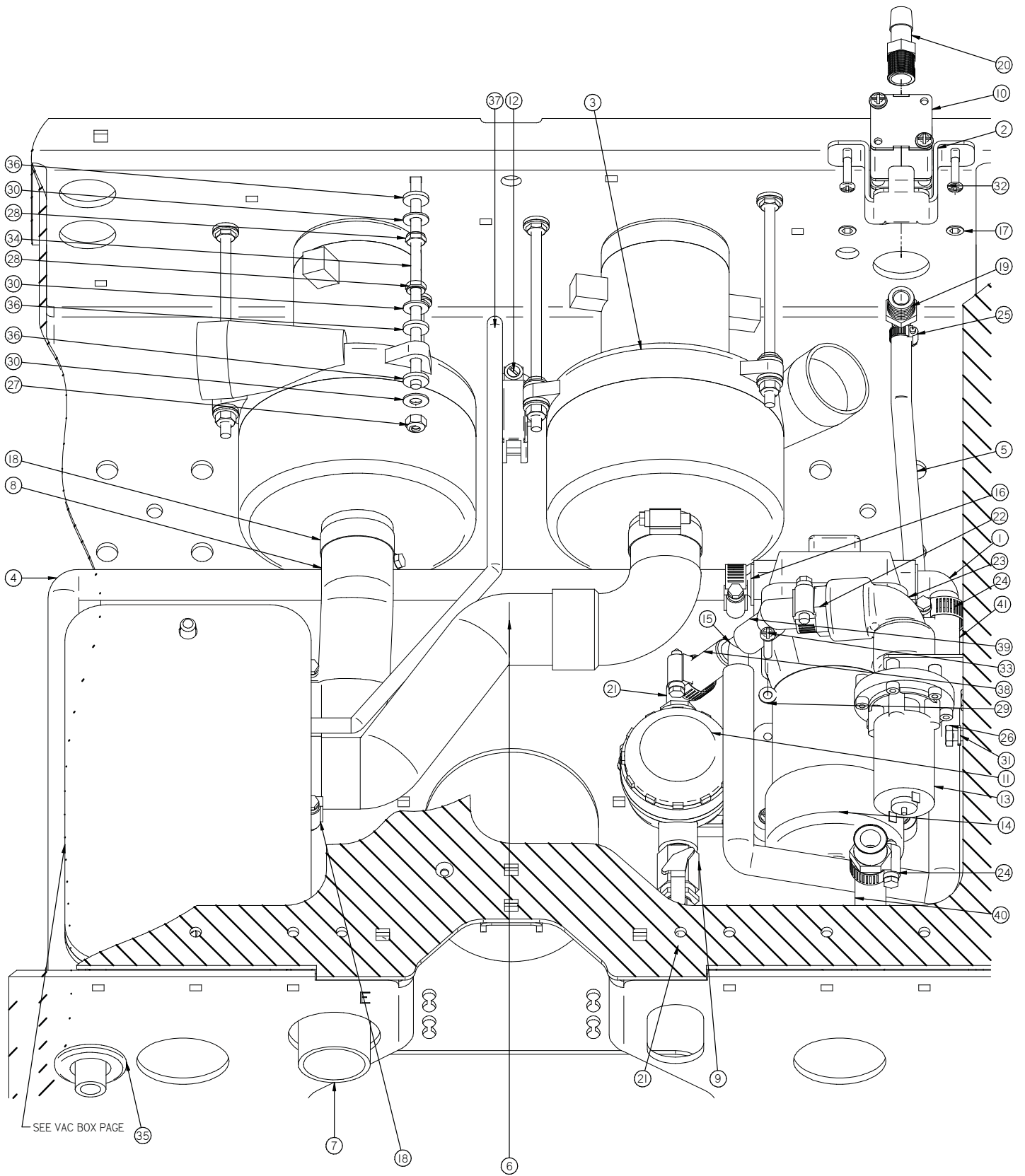
Item	Part No.	Part Description	Qty.
1	190-3030	4.0" WHEEL (GRAY)	4
2	21-2211	SPACER 1/2 OD X 1/4"	8
3	290-5786	STAR KNOB, 3/8-16 THREAD	4
4	370-0007	BAND BRACKET HOLDER	2
5	370-0124	LATCH	1
6	370-7160	REAR SQUEEGEE BAND (RH)	1
7	370-7163	REAR SQUEEGEE BAND (LH 60")	1
8	370-7171	FONT SQUEEGEE BAND (60")	1
9	370-7183	SQUEEGEE CASTER BRACKET	2
10	370-7191	60" SQUEEGEE BODY	1
11	370-7192	SQUEEGEE BODY BOTTOM (60")	2
12	370-8460	STANDOFF, 1.5"	4
13	5-418A	CLAMPING KNOB	8
14	H-0129155	JNYL #10-32, 18-8 S/S	2
15	H-0171135	SHCS 1/4-20 X 3-1/4 SS	2
16	H-0171299	BHSCS 3/8"- 16 X 3" SS	4
17	H-37020	JNYL 1/4" - 20	8
18	H-37708	1/4-20 LC ACORN NUT	2
19	H-70862	NYLOK 3/8"-16 SS	4
20	H-71013	FW 1/4" X 5/8" SS	8
21	H-71063	LW 1/4" SS	6
22	H-71067	LW 3/8" SS	4
23	H-71191	HCS 3/8"- 16 X 3" SS	2
24	H-71193	HCS 3/8"- 16 X 4" SS	2
25	H-72710	FHP 1/4"- 20 X 1" SS	4
26	H-73465	SHCS 1/4-20 X 1.75 SS	2
27	H-73468	SHCS 1/4-20 X 2.5 SS	2
28	H-73470	SHCS 1/4-20 X 3.0 SS	2
29	H-73742	BHSCS 10-32 X 3/8" SS	2
30	H-77013	HCS 1/4"- 20 X 2.5" SS	4
31	H-77015	HCS 1/4"- 20 X 3.0" SS	2
32	H-92321	.252 ID X .50 OD X 2.25 LG SPACER	2
33	H-NJ06C	JNYL 3/8- 16 SS	4

# 32 Squeegee Trail Arm and Rear Axle

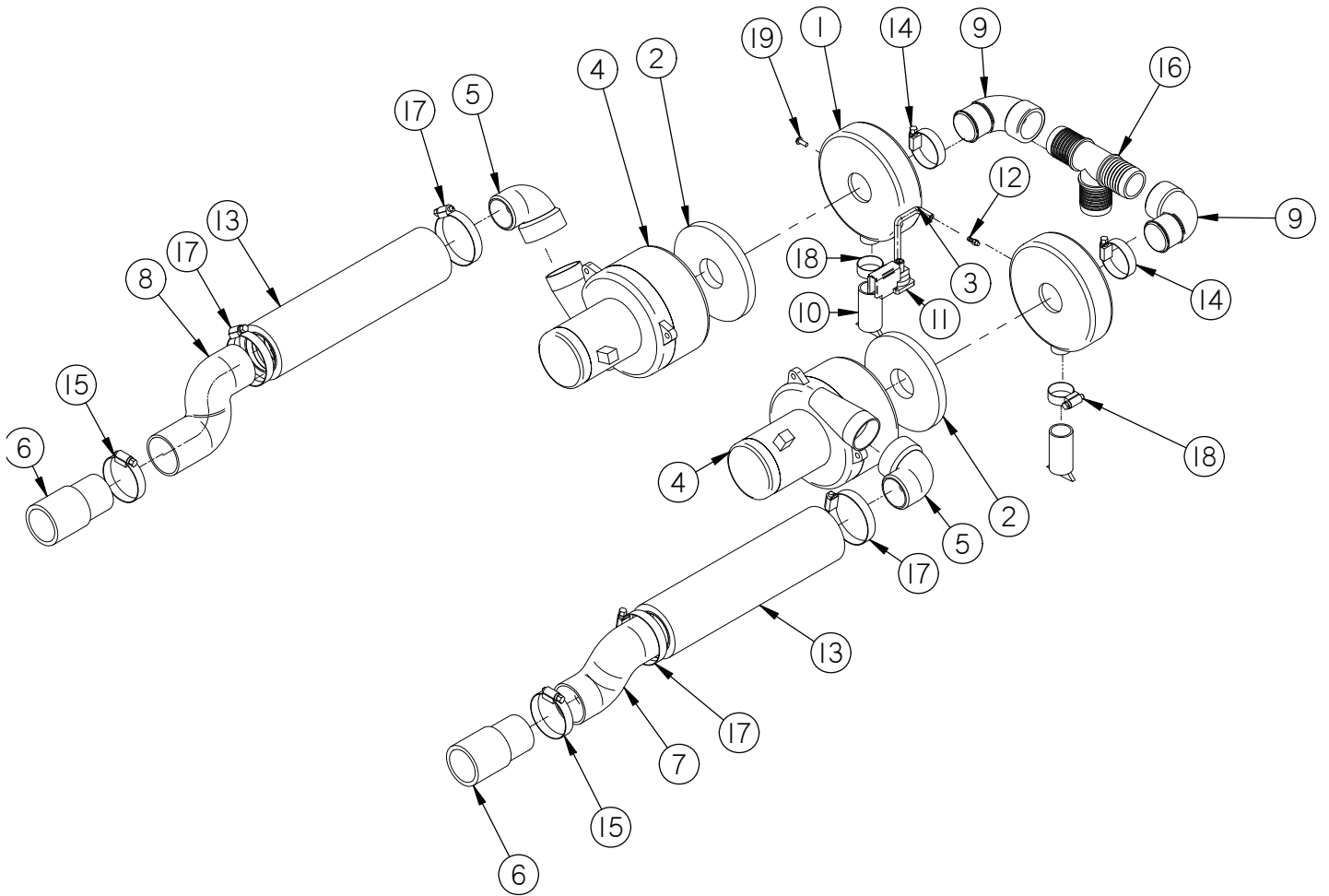




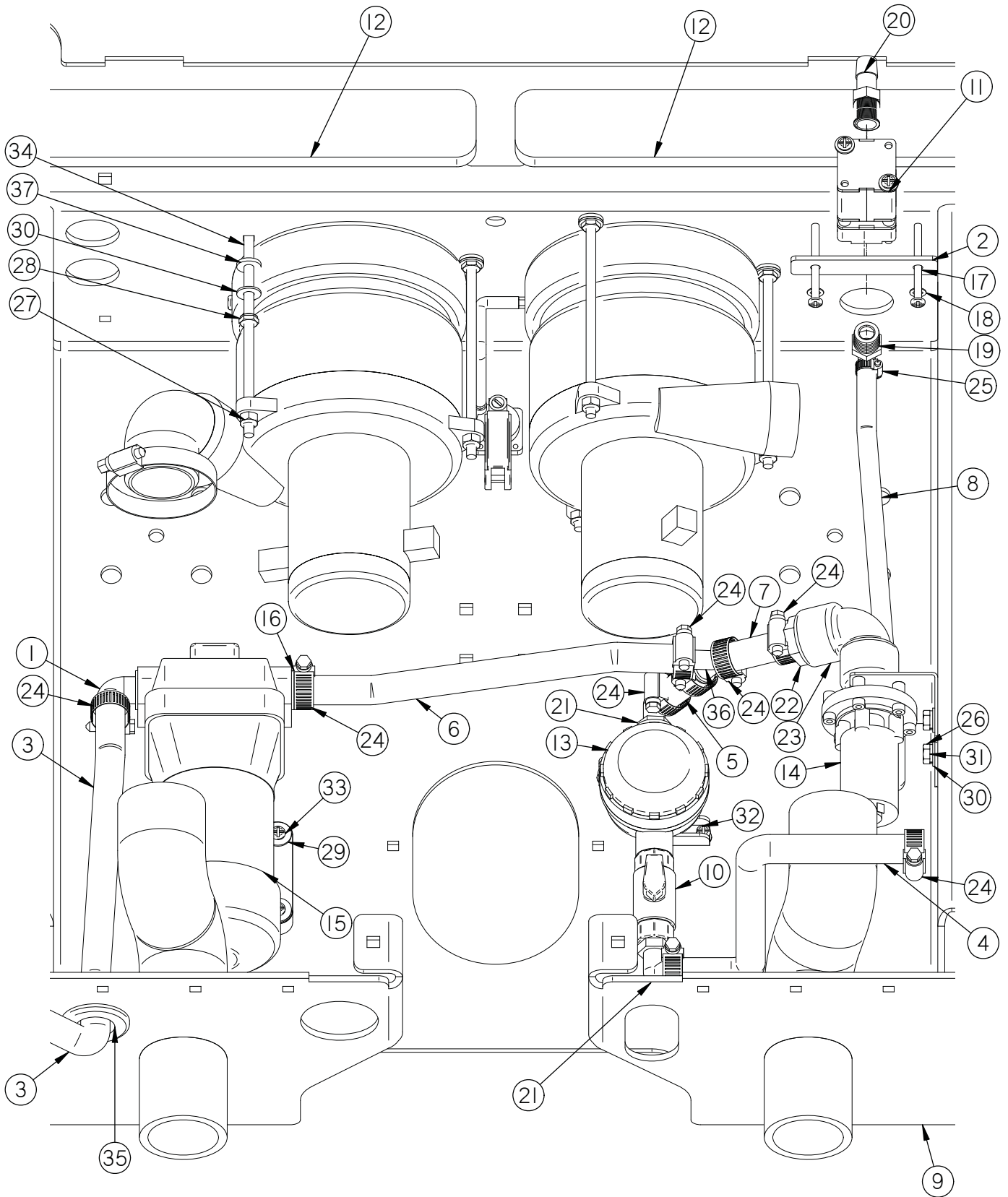
Item	Part No.	Part Description	Qty.
1	21-1126	ROLLER BRACKET	2
2	21-1127	ROLLER	2
3	250-1102	SCRUB DECK LIFTING BRACKET	1
4	250-2240	2" STROKE 36V ACTUATOR 450 LB LOAD	1
5	290-6186	1/2-20 X 1-1/4 " U BOLT	4
6	290-6187	LUG NUT, 1/2"- 20	8
7	370-1105	REAR BUMPER	1
8	370-6040	REAR AXLE	1
9	370-6180	14" REAR WHEEL (BLACK RUBBER) TREADED	2
10	5-122	HINGE 8" SS	2
11	H-0129159	JNYL, 1/2"-13, 18-8 SS	1
12	H-03660	.50 ID SHAFT COLLAR WITH SET SCREW	2
13	H-11319	HB 5/8"- 11 X 4"	2
14	H-13217	HCS 1/2"-13 X 3-1/2" SS	1
15	H-37038	JNYL 5/8"- 11	2
16	H-37130	NYLOK NUT, 1/2"- 20	8
17	H-70860	NYLOK 1/4"- 20 SS	17
18	H-70861	NYLOK 5/16" - 18 SS	9
19	H-74418	CB 1/4"- 20 X 5/8" S/S	8
20	H-74419	CB 1/4"- 20 X .75" SS	12
21	H-74429	CB 5/16"- 18 X 3/4" SS	9



Item	Part No.	Part Description	Qty.
1	21-1601	1/2" BARBED ELBOW (PLASTIC)	1
2	250-5280	VALVE BRACKET	1
3	255-5250	36V VAC MOTOR, TANGENTIAL W/SNORKEL	2
4	290-8960	SPRAY JET HOSE	1
5	370-0005	3/8" X 16" CLEAR HOSE	1
6	370-0113	VAC TO VAC BOX HOSE	1
7	370-0114	VAC BOX TO TANK HOSE	1
8	370-0115	VAC TO VAC BOX HOSE	1
9	370-4158	BALL VALVE, 3/8"	1
10	370-7245	FLOW VALVE	1
11	370-9130	INLINE FILTER	1
12	390-2328	SWITCH, VACUUM SHUTOFF	1
13	390-8500	PUMP 36V DC	1
14	430-8910	PUMP, WATER JET, 36V	1
15	5-446	1/2" PLASTIC BARB TEE	1
16	5-891B	1/2" SPRAY JET BARB	2
17	H-02309	HCN #10-32, LG CRIMP	3
18	H-0427612	CLAMP 3/4"- 1-3/4" SS	4
19	H-04762	ELBOW, 90 DEG X 3/8" MNPT X 3/8" BARB, NYLON	1
20	H-04763	.375 NPT X .50 BARB	1
21	H-04764	ELBOW, 3/8" MNPT X 1/2" BARB X 90 DEG, NYLON	2
22	H-04776	.75 NPT X .50 BARB	2
23	H-04787	.75 NPT X .75 NPT FEMALE ELBOW	1
24	H-081	CLAMP 7/16"- 25/32" SS	6
25	H-62002	HOSE CLAMP, #4 S/S	1
26	H-70003	HCS 1/4"-20 X 3/4" SS	2
27	H-70860	NYLOK 1/4"- 20 SS	4
28	H-70925	KN 1/4-20 S/S	8
29	H-71009	FW #10 SS	3
30	H-71013	FW 1/4 ID X 5/8 OD SS	12
31	H-71063	LW 1/4" SS	1
32	H-72534	PPH #10-32 X 3/4" S/S	4
33	H-72536	PPH #10-32 X 1" S/S	3
34	H-74400	CB 1/4"- 20 X 6.0" SS	6
35	H-9307K74	GROMMET, 1" ID X 1-3/4" OD BUNA-N	1
36	M-90130A029	.25" NEOPRENE WASHER	12
37	T-012-CI600	VAC BREATHER HOSE	1
38	T-050R0275	FILTER TO WYE	1
39	T-050R0275	TEE TO SMALL PUMP	1
40	T-050RI550	TANK TO ELBOW	1
41	T-050R2150	TEE TO BIG PUMP	1

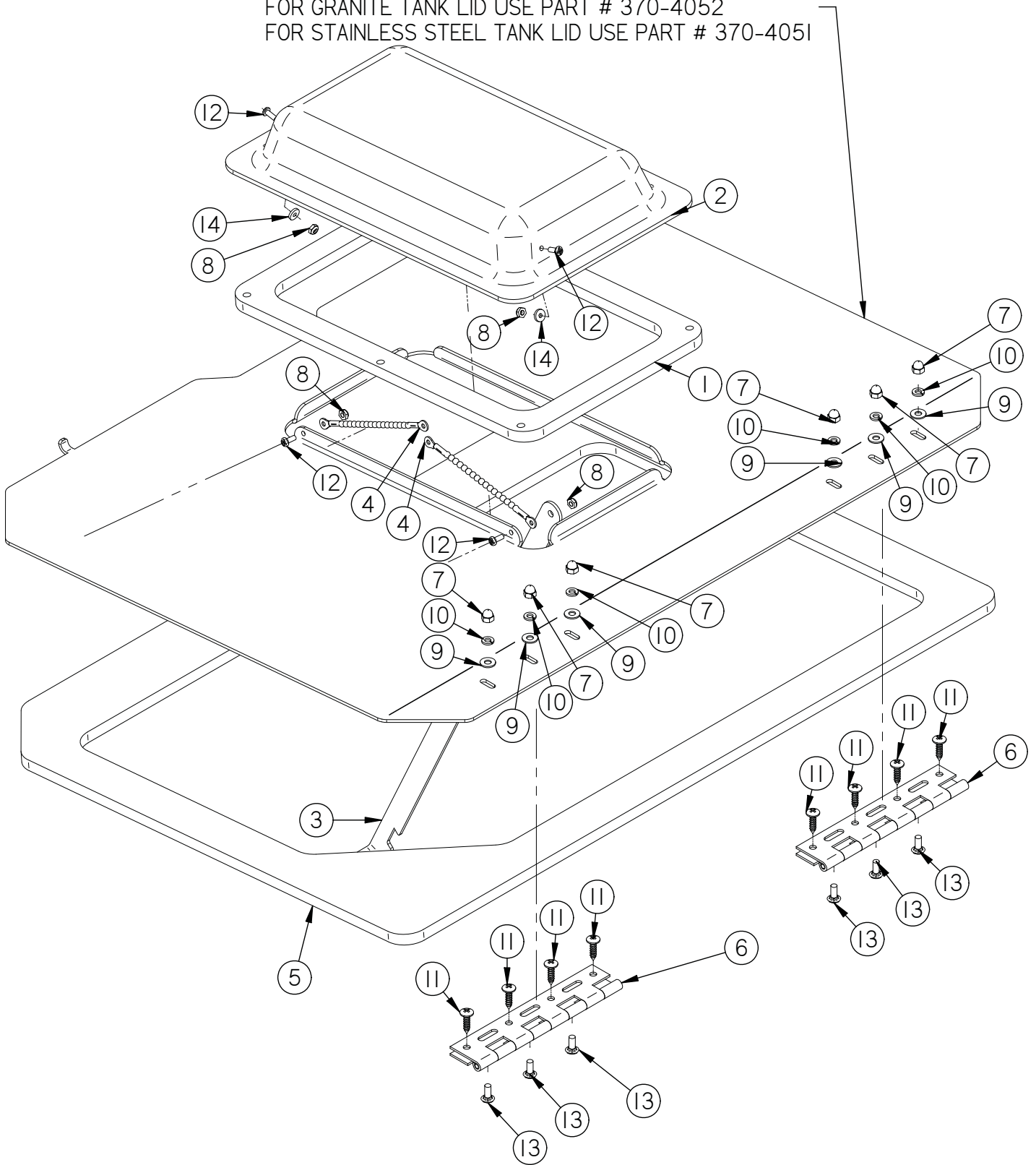


Item	Part No.	Part Description	Qty.
1	190-1450	VAC BOX	2
2	190-3002	VAC MOTOR GASKET	2
3	250-0119	1/4" ID X 9-1/2" HOSE	1
4	250-5250	36V VAC MOTOR, TANGENTIAL	2
5	250-7291	EXHAUST ELBOW	2
6	290-7212	1-1/2" - 2" HOSE CUFF	2
7	370-0122	VAC FAN MUFFLER	1
8	370-0122	VAC MUFFLER HOSE	1
9	370-4072	1-1/2" 90%DI ELBOW	2
10	390-1505	LOADER VALVE	2
11	390-2328	SWITCH, VACUUM SHUTOFF	1
12	390-2328A	VACUUM SWITCH BARB	1
13	430-2502	VACUUM FAN MUFFLER	2
14	5-719	CLAMP 1 9/16 - 2 1/2 " SS	2
15	5-719	CLAMP 1 9/16 - 2 1/2 " SS	2
16	8-914	1.5" BARBED TEE	1
17	H-0427637	CLAMP 2" - 3"	4
18	H-62005	CLAMP 5/8"- 1-1/2" SS	2
19	H-72515	PPH #10-32 X 1/2" S/S	1



Item	Part No.	Part Description	Qty.
1	21-1601	1/2" BARBED ELBOW (PLASTIC)	1
2	250-5280	VALVE BRACKET	1
3	290-8960	SPRAY JET HOSE	1
4	370-0001	1/2" X 12" CLEAR HOSE	1
5	370-0002	OPERATORS MANUAL HOLDER	1
6	370-0003	1/2" X 10" CLEAR HOSE	1
7	370-0004	1/2" X 8" CLEAR HOSE	1
8	370-0005	3/8" X 16" CLEAR HOSE	1
9	370-1100	MAIN FRAME	1
10	370-4158	BALL VALVE, 3/8"	1
11	370-7245	FLOW VALVE	1
12	370-7421	TANK GASKET	2
13	370-9130	INLINE FILTER	1
14	390-8500	PUMP 36V DC	1
15	430-8910	PUMP, WATER JET, 36V	1
16	5-891B	1/2" SPRAY JET BARB	1
17	H-00249	PPH #10-32 X 2 1/4" SS	2
18	H-02309	HCN #10-32, LG CRIMP	6
19	H-04762	ELBOW, 90 DEG X 3/8" MNPT X 3/8" BARB, NYLON	1
20	H-04763	.375 NPT X .50 BARB	1
21	H-04764	ELBOW, 3/8" MNPT X 1/2" BARB X 90 DEG, NYLON	2
22	H-04776	.75 NPT X .50 BARB	1
23	H-04787	.75 NPT X .75 NPT FEMALE ELBOW	1
24	H-081	CLAMP 7/16"- 25/32" SS	9
25	H-62002	HOSE CLAMP, #4 S/S	1
26	H-70003	HCS 1/4"-20 X 3/4" SS	2
27	H-70860	NYLOK 1/4"- 20 SS	6
28	H-70925	KN 1/4-20 S/S	6
29	H-71009	FW #10 SS	2
30	H-71013	FW 1/4 ID X 5/8 OD SS	8
31	H-71063	LW 1/4" SS	2
32	H-72534	PPH #10-32 X 3/4" S/S	2
33	H-72536	PPH #10-32 X 1" S/S	2
34	H-74400	CB 1/4"- 20 X 6.0" SS	6
35	H-9307K74	GROMMET, 1" ID X 1-3/4" OD BUNA-N	1
36	M-5463K727	WYE, 1/2", NYLON	1
37	M-90130A029	.25" NEOPRENE WASHER	6

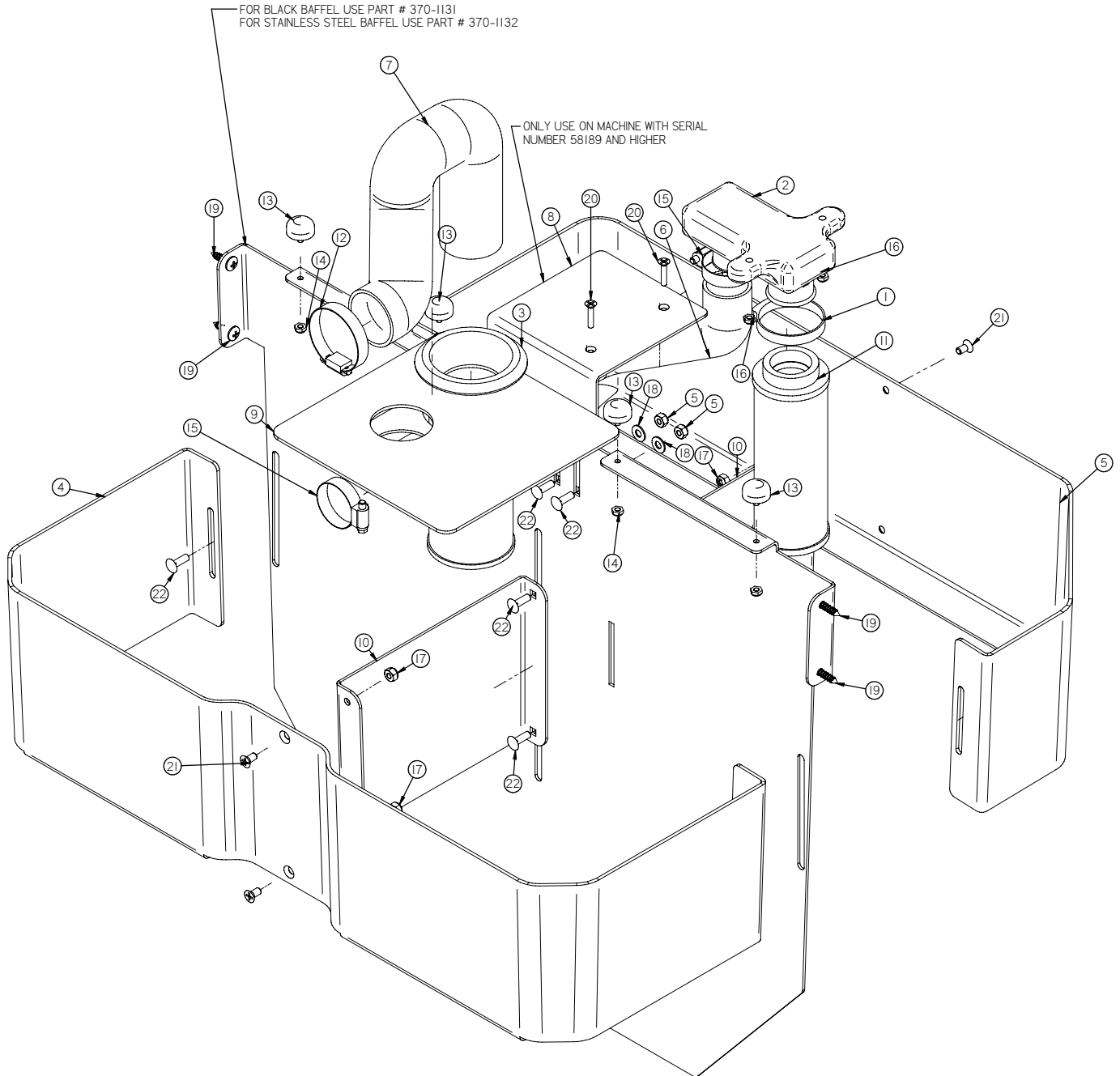
FOR GRANITE TANK LID USE PART # 370-4052  
FOR STAINLESS STEEL TANK LID USE PART # 370-4051





Item	Part No.	Part Description	Qty.
1	190-1075	TANK CLEAR COVER GASKET	1
2	190-1410	VAC FORMED CLEAR COVER	1
3	370-1130	HOOD STAND	1
4	370-4060	6" LANYARD	2
5	370-7420	TANK LID GASKET	1
6	5-122	HINGE 8" SS	2
7	H-37708	1/4-20 LC ACORN NUT	6
8	H-70858	NYLOK #10-32 SS	4
9	H-71013	FW 1/4" X 5/8" SS	6
10	H-71063	LW 1/4" SS	6
11	H-71894	#14 X 1" SELF TAPPING SCREW	8
12	H-72515	PPH #10-32 X 1/2" S/S	4
13	H-74418	CB 1/4"- 20 X 5/8" S/S	6
14	H-90133	.170 ID X .50 OD X .093 TH NEOPRENE WASHER	2

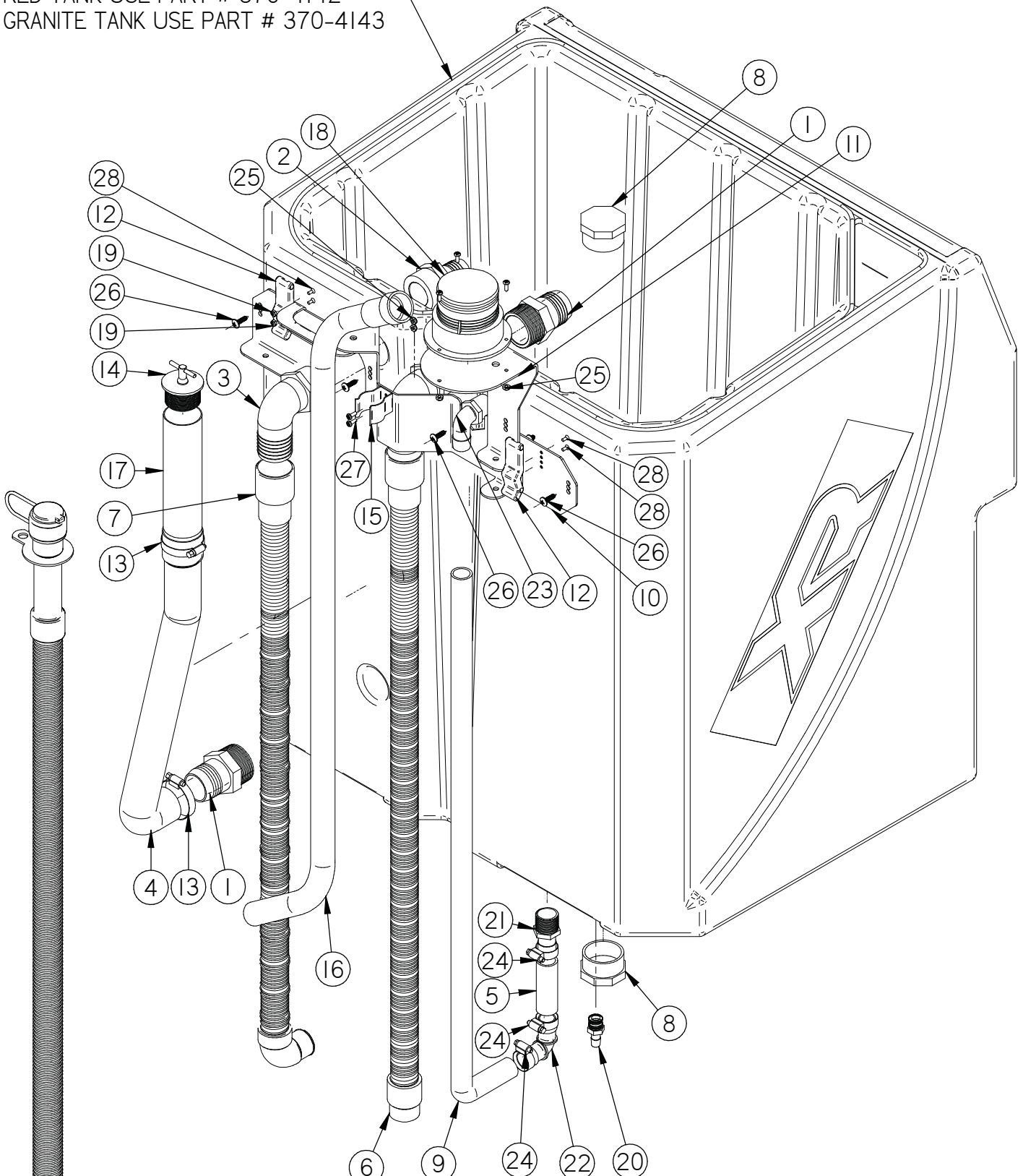
# 42 Tank Baffle



Item	Part No.	Part Description	Qty.
1	21-4028	SNAP GRIP CLAMP	1
2	21-7060	VAC BOX	1
3	250-8911	SCREEN STRAINER	1
4	370-0081	TANK BAND, REAR	1
5	370-0082	TANK BAND, FRONT	1
6	370-0120	1-1/2(ID) X 16" LG. TANK HOSE	1
7	370-0121	2" ID X 15" LG. TANK HOSE	1
8	370-1123	BALL FLOAT HOLDER	1
9	370-1129	TANK BACK SPLASH	1
10	370-1133	TANK BRACE	2
11	370-4085	VAC SCREEN	1
12	5-719	CLAMP 1 9/16 - 2 1/2 " SS	1
13	H-01201	GROMMET	4
14	H-0129154	JAM NYLOK #10-24 SS	4
15	H-0427612	CLAMP 3/4"- 1-3/4" SS	2
16	H-70858	NYLOK #10-32 SS	2
17	H-70860	NYLOK 1/4"- 20 SS	10
18	H-71013	FW 1/4 ID X 5/8 OD SS	2
19	H-71894	#14 X 1" SELF TAPPING SCREW	4
20	H-72685	FHP 10-32 X 1" SS	2
21	H-72704	FHP 1/4"- 20 X 1/2" SS	4
22	H-74419	CB 1/4"- 20 X .75" SS	6

**USE THIS TANK FOR  
MACHINES WITH SERIAL  
NUMBER 63205 AND HIGHER**

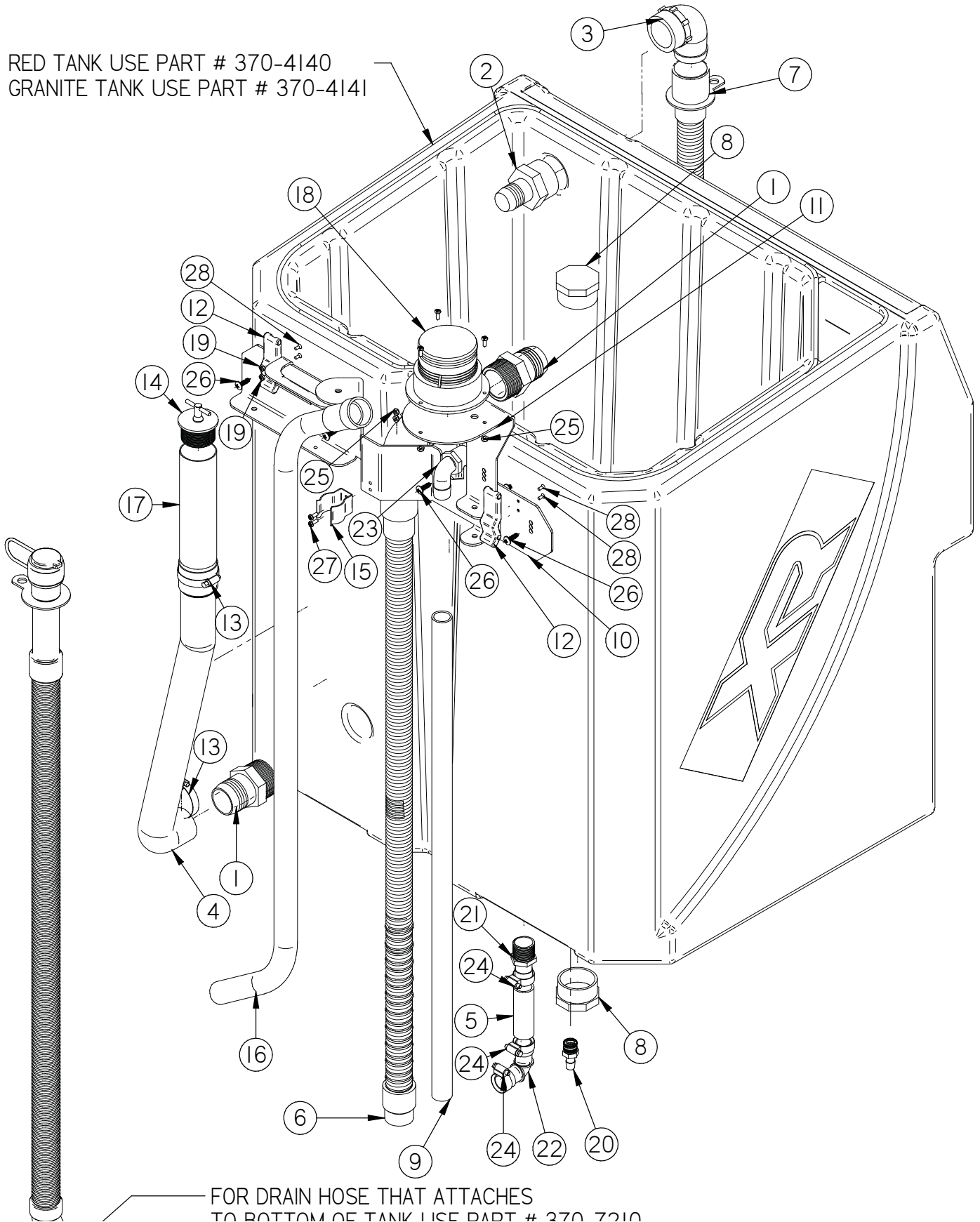
RED TANK USE PART # 370-4142  
GRANITE TANK USE PART # 370-4143



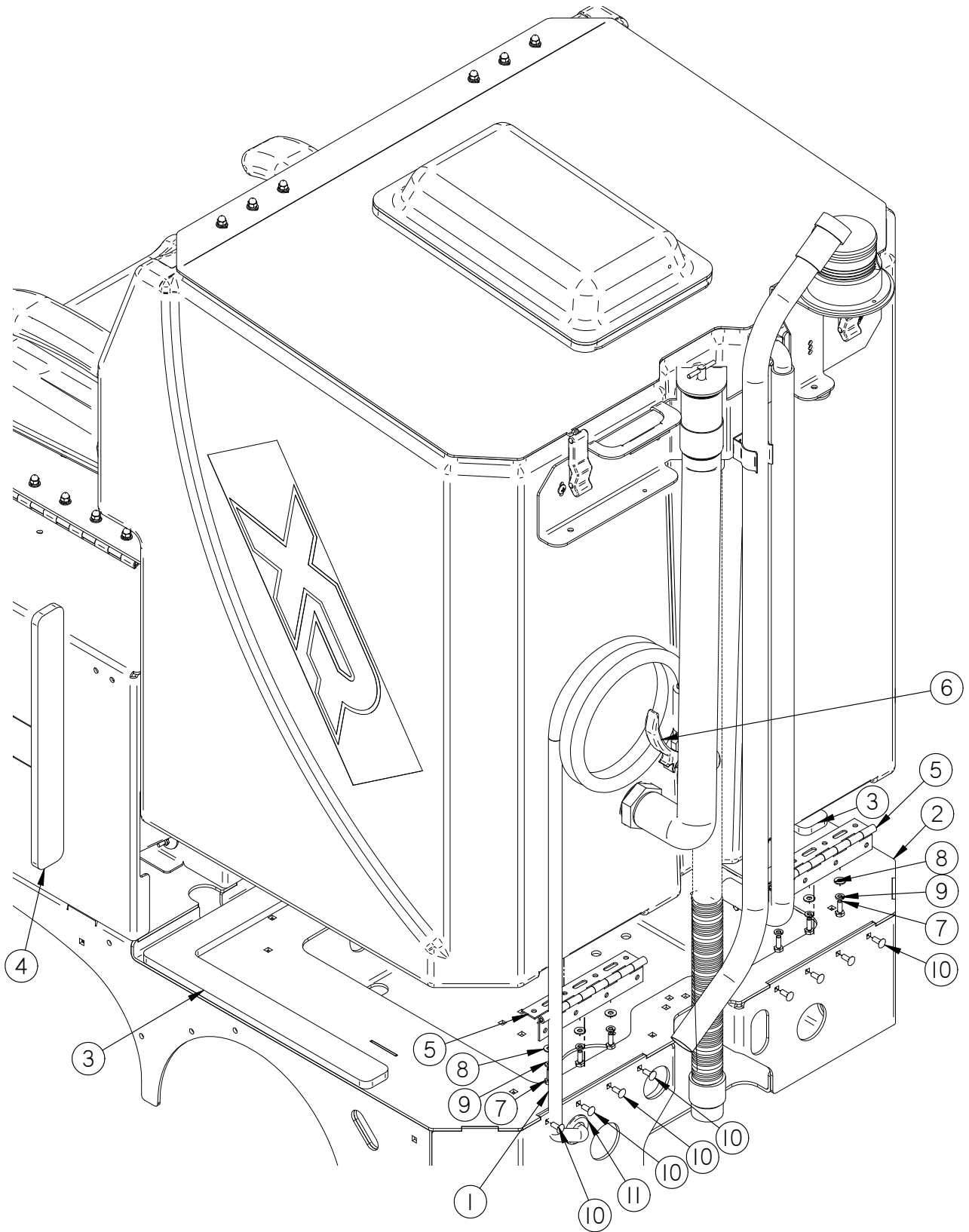
Item	Part No.	Part Description	Qty.
1	190-1210	2.0 NPT X 2.0" BARB	2
2	190-1215	2.0 NPT X 1.50 BARB	1
3	290-7041	2" NPT X 2" BARB STREET ELBOW, BLACK	2
4	290-7210	2" DRAIN HOSE	1
5	370-0013	1" X 3-1/2" REINFORCED TUBING	1
6	370-0111	SQUEEGEE HOSE	1
7	370-0114	TANK TO VAC HOSE	1
8	370-1210	2" NPT TANK PLUG	2
9	370-1370	SIGHT TUBE	1
10	370-7180	TANK UTILITY HANDLE	1
11	370-7185	STROBE LIGHT BRACKET	1
12	4-124	LATCH	2
13	5-719	CLAMP 1 9/16 - 2 1/2 " SS	2
14	5-727	DRAIN HOSE PLUG	1
15	5-886	WAND CLIP	1
16	5-887	VAC WAND	1
17	5-920	DRAIN HOSE END TUBE	1
18	8-293	STROBE LIGHT	1
19	H-0170996	JAM NYLOK #8-32 SS	4
20	H-04788	.50 NPT X .50 BARB	1
21	H-04789	1.0 NPT X 1.0 BARB	1
22	H-04790	1.0" BARB X 1.0" BARB ELBOW	1
23	H-04791	1" NPT TO 1" BARBED ELBOW	1
24	H-62005	CLAMP 5/8"- 1-1/2" SS	3
25	H-70858	NYLOK #10-32 SS	4
26	H-71894	#14 X 1" SELF TAPPING SCREW	5
27	H-72515	PPH #10-32 X 1/2" S/S	5
28	H-72641	FHP #8-32 X 3/8" SS	4

# 46 Solution/Recovery Tank - Serial 63204 and Lower

RED TANK USE PART # 370-4140  
 GRANITE TANK USE PART # 370-4141

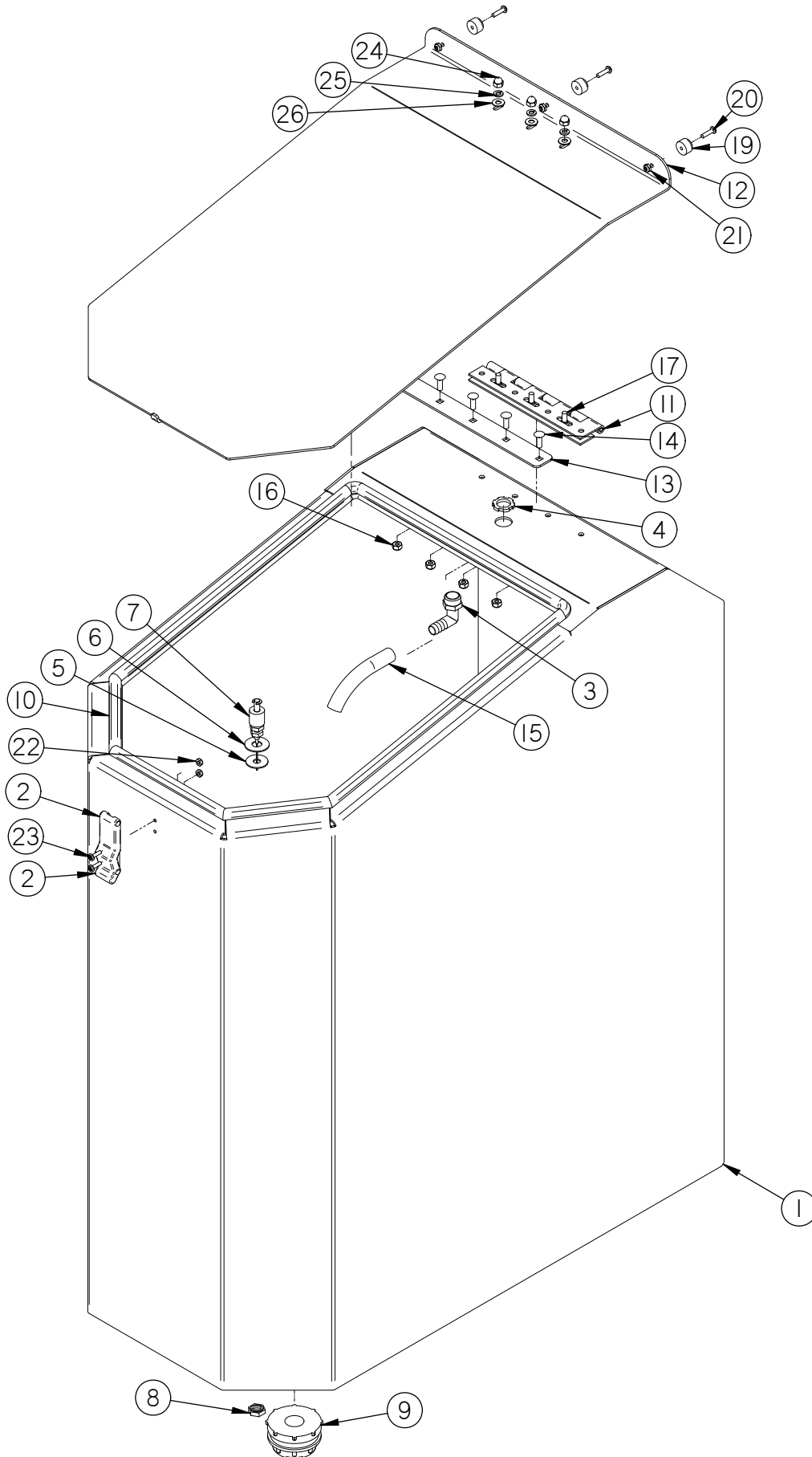


Item	Part No.	Part Description	Qty.
1	190-1210	2.0 NPT X 2.0" BARB	2
2	190-1215	2.0 NPT X 1.50 BARB	1
3	290-7040	2" NPT X 2" BARB ELBOW, BLACK	2
4	290-7210	2" DRAIN HOSE	1
5	370-0013	1" X 3-1/2" REINFORCED TUBING	1
6	370-0111	SQUEEGEE HOSE	1
7	370-0112	TANK TO VAC HOSE	1
8	370-1210	2" NPT TANK PLUG	2
9	370-1370	SIGHT TUBE	1
10	370-7180	TANK UTILITY HANDLE	1
11	370-7185	STROBE LIGHT BRACKET	1
12	4-124	LATCH	2
13	5-719	CLAMP 1 9/16 - 2 1/2 " SS	2
14	5-727	DRAIN HOSE PLUG	1
15	5-886	WAND CLIP	1
16	5-887	VAC WAND	1
17	5-920	DRAIN HOSE END TUBE	1
18	8-293	STROBE LIGHT	1
19	H-0170996	JAM NYLOK #8-32 SS	4
20	H-04788	.50 NPT X .50 BARB	1
21	H-04789	1.0 NPT X 1.0 BARB	1
22	H-04790	1.0" BARB X 1.0" BARB ELBOW	1
23	H-04791	1" NPT TO 1" BARBED ELBOW	1
24	H-62005	CLAMP 5/8"- 1-1/2" SS	3
25	H-70858	NYLOK #10-32 SS	4
26	H-71894	#14 X 1" SELF TAPPING SCREW	5
27	H-72515	PPH #10-32 X 1/2" S/S	5
28	H-72641	FHP #8-32 X 3/8" SS	4

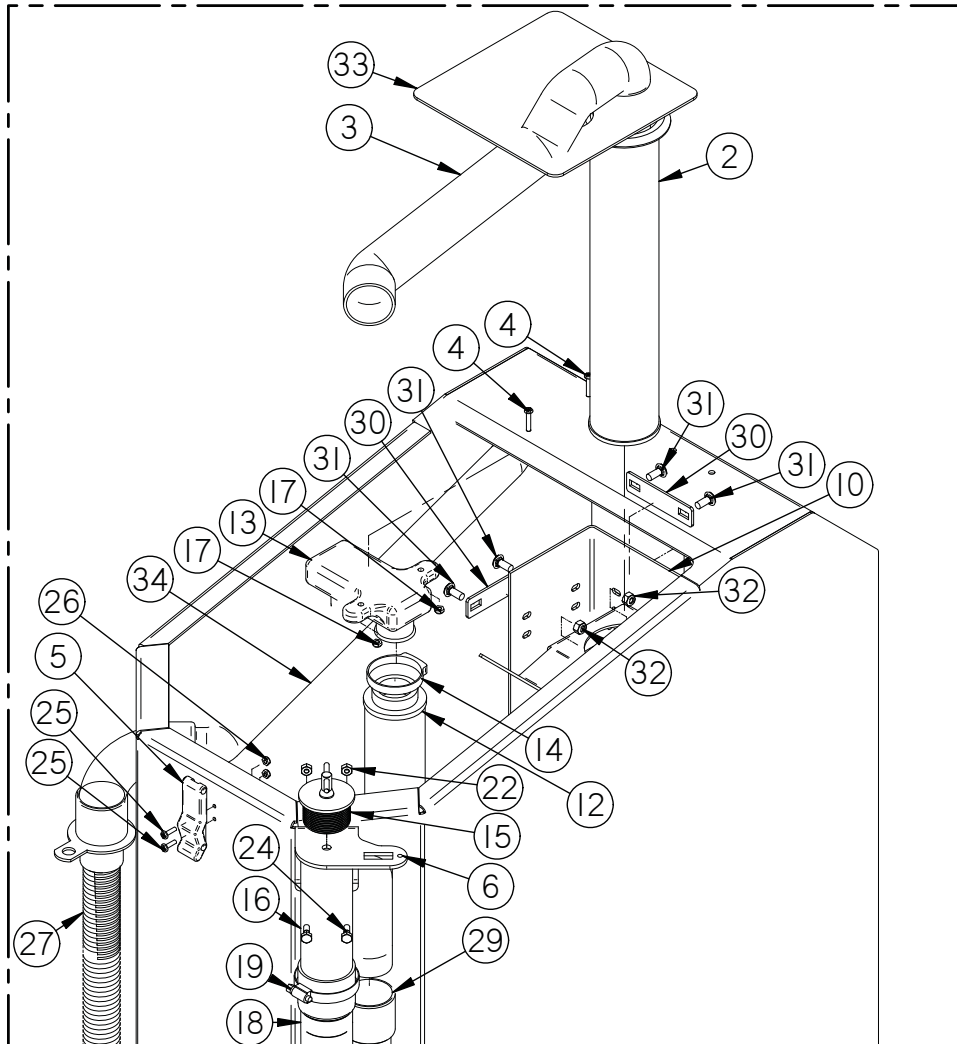
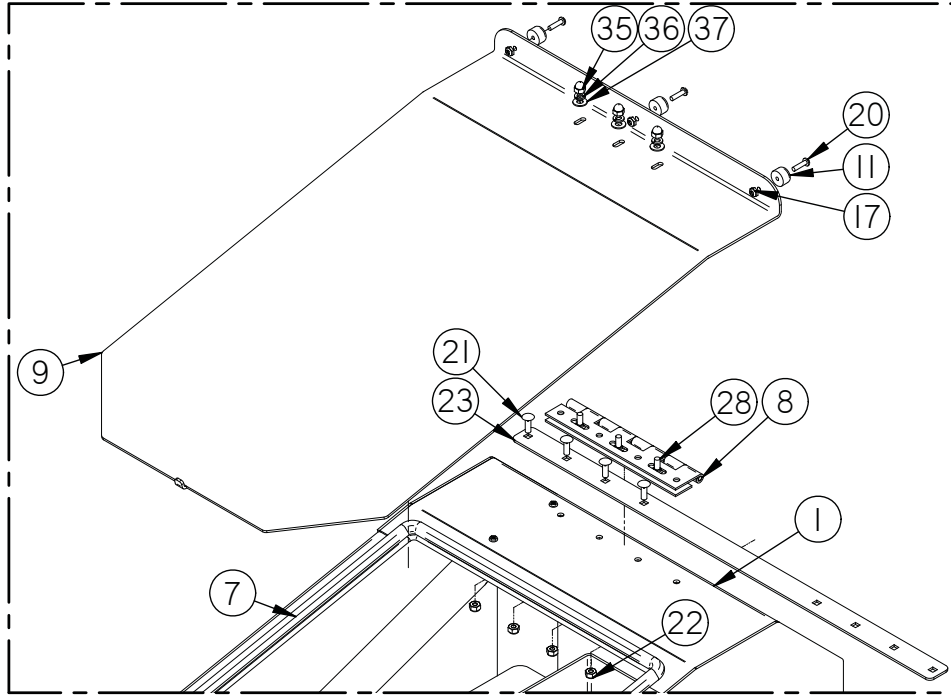




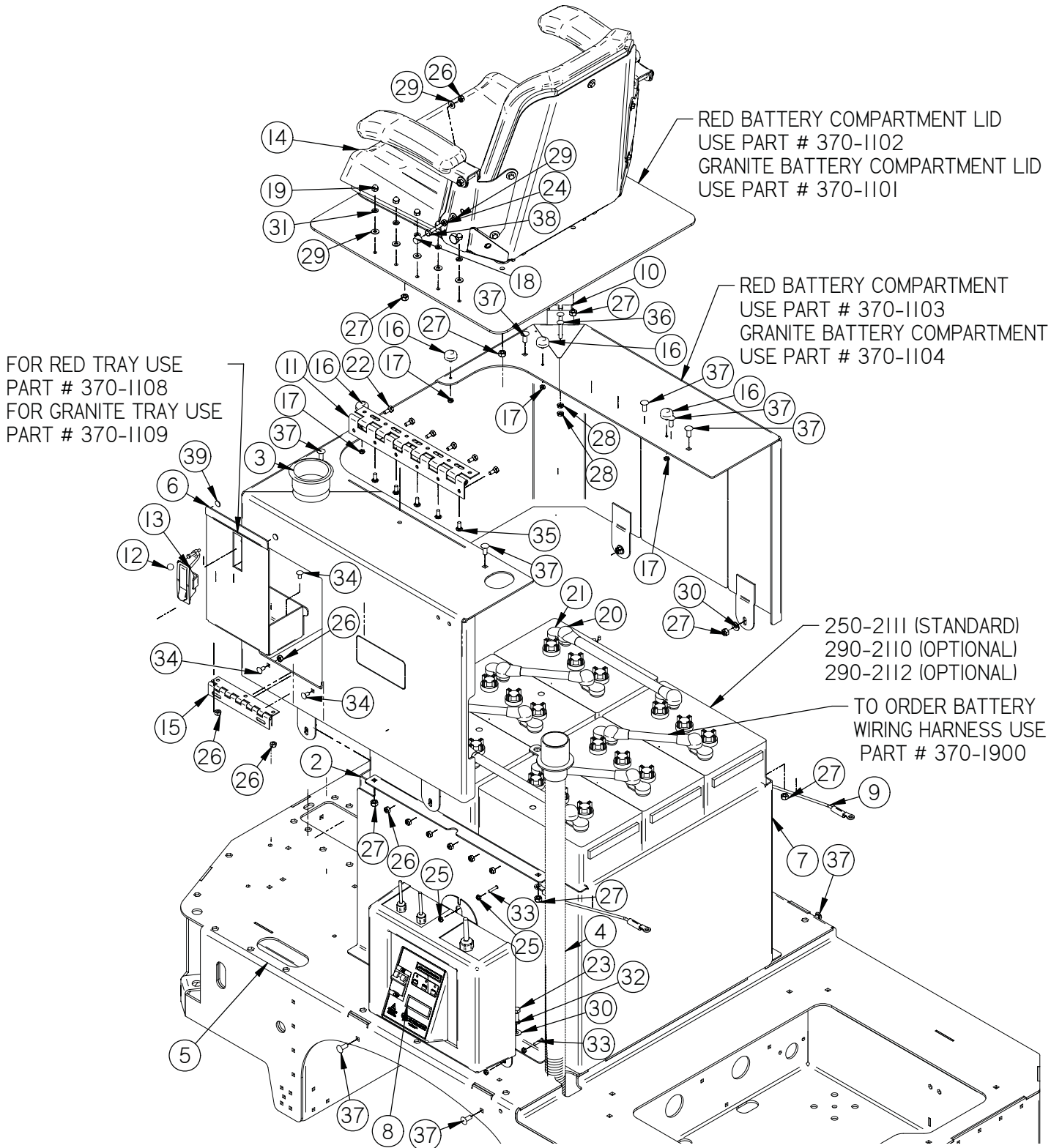
Item	Part No.	Part Description	Qty.
1	290-8960	SPRAY JET HOSE	1
2	370-1100	MAIN FRAME	1
3	370-7421	TANK GASKET	2
4	370-7422	TANK GASKET	2
5	5-122	HINGE 8" SS	2
6	5-895	SPRAY NOZZLE	1
7	H-70003	HCS 1/4"- 20 X 3/4" SS	6
8	H-71013	FNW 1/4" X 5/8" SS	5
9	H-71063	LW 1/4" SS	6
10	H-74418	CB 1/4"- 20 X 5/8" S/S	8
11	H-9307K74	GROMMET, 1" ID X 1-3/4" OD BUNA-N	1



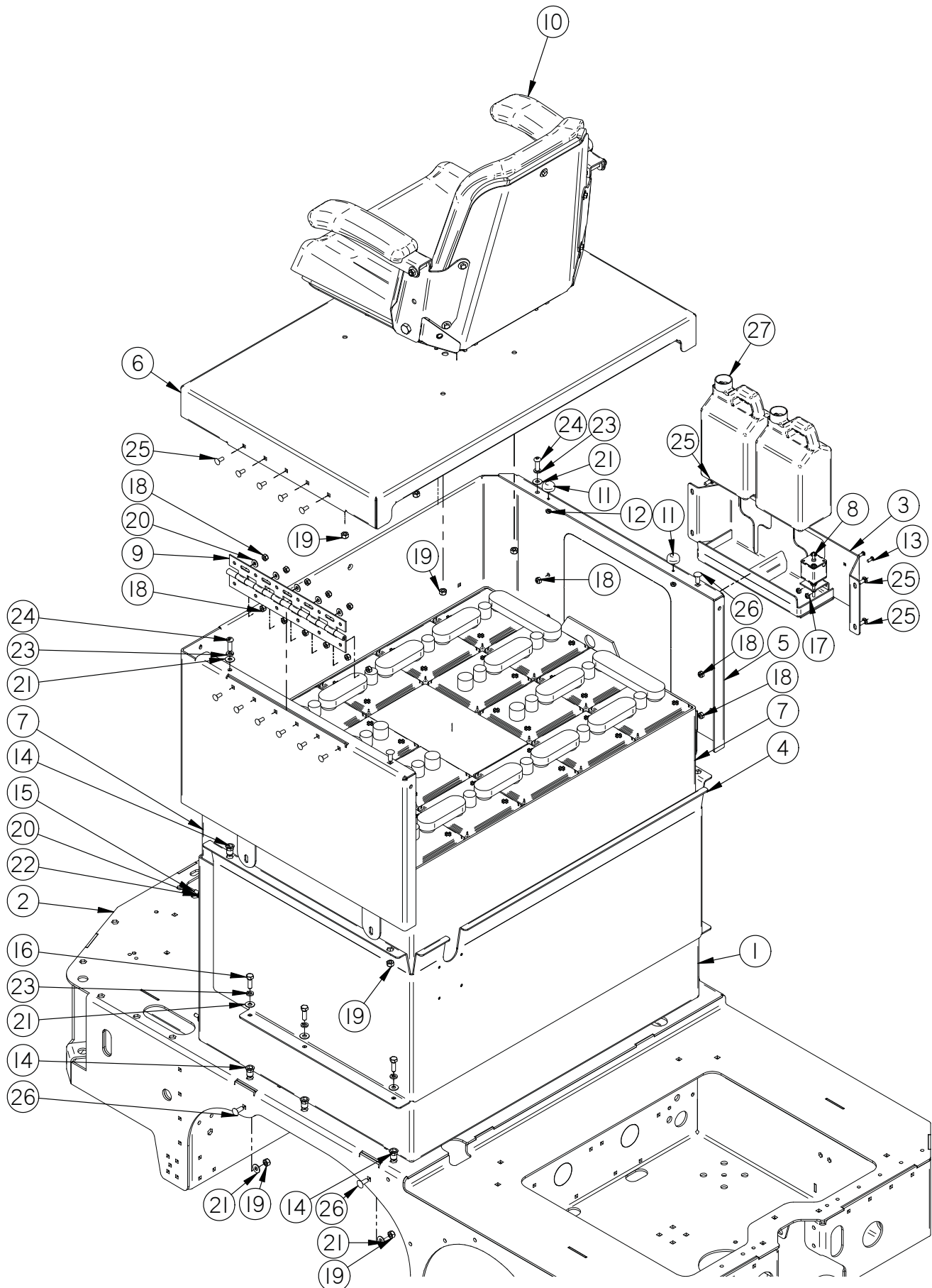
Item	Part No.	Part Description	Qty.
1	370-5140	XR SS SOLUTION TANK	1
2	4-124	LATCH	1
3	5-447	1/2 NPT X 1/2" BARB ELBOW	1
4	H-07005	1/2" NPT LOCKNUT	1
5	H-4440040	.375 ID X 1.125 OD RUBBER WASHER	1
6	H-95611	FW 1/2" PVC	1
7	370-5226	FLOAT VALVE SWITCH	1
8	H-90215	SSLN .50-20	1
9	395-414A	BULKHEAD FITTING, 1.0" FNPT	1
10	390-4100	PUSH-ON RUBBER GASKET 67" LG	1
11	5-122	8" SS HINGE	1
12	370-4112	TANK LID	1
13	370-4114	TANK CONNECTING BRACKET	1
14	H-74419	CB 1/4"- 20 X .75" SS	4
15		1/2" X 4" CLEAR TUBE	1
16	H-70860	NYLOK 1/4"- 20 SS	4
17	H-74418	CB 1/4"- 20 X 5/8" S/S	3
19	H-9540	RUBBER BUMPER, 25/32"	3
20	H-72534	PPH #10-32 X 3/4" S/S	3
21	H-70858	NYLOK #10-32 SS	3
22	H-70856	NYLOK #8-32 SS	2
23	H-72399	PPH #8-32 X 5/8" S/S	2
24	H-37708	1/4-20 LC ACORN NUT	3
25	H-71063	LW 1/4" SS	3
26	H-71013	FW 1/4 ID X 5/8 OD SS	3



Item	Part No.	Part Description	Qty.
1	370-8010	XR SS RECOVERY TANK	1
2	250-8911	SCREEN STRAINER	1
3	253-0121	SS REC. TANK HOSE	1
4	H-72536	PPH #10-32 X 1" S/S	2
5	4-124	LATCH	1
6	390-7185	DRAIN HOSE BRACKET	1
7	390-4100	PUSH-ON RUBBER GASKET 67" LG	1
8	5-122	8" SS HINGE	1
9	370-4112	TANK LID	1
10	395-7015	DRAIN SAVER CURTAIN	1
11	H-9540	RUBBER BUMPER, 25/32"	3
12	370-4085	VAC SCREEN	1
13	21-7060	VAC BOX	1
14	21-4028	SNAP GRIP CLAMP	1
15	5-727	DRAIN HOSE PLUG	1
16	5-920	DRAIN HOSE END TUBE	1
17	H-70858	NYLOK #10-32 SS	5
18	290-7210	DRAIN HOSE	1
19	H-0427617	CLAMP 2" - 3"	1
20	H-72534	PPH #10-32 X 3/4" S/S	3
21	H-74419	CB 1/4"- 20 X .75" SS	4
22	H-70860	NYLOK 1/4"- 20 SS	6
23	370-4114	TANK CONNECTING BRACKET	1
24	H-70003	HCS 1/4"-20 X 3/4" SS	2
25	H-72399	PPH #8-32 X 5/8" S/S	2
26	H-70856	NYLOK #8-32 SS	2
27	370-0112	TANK TO VAC HOSE	1
28	H-74418	CB 1/4"- 20 X 5/8" S/S	3
29	370-0111	SQUEEGEE HOSE	1
30	253-1040	TANK STRAP SUPPORT	2
31	H-74429	CB 5/16"- 18 X 3/4" SS	4
32	H-70861	NYLOK 5/16" - 18 SS	4
33	370-1129	TANK BACK SPLASH	1
34	370-0123	1-1/2" ID X 32" LG. HOSE W/2" CUFF	1
35	H-37708	1/4-20 LC ACORN NUT	3
36	H-71063	LW 1/4" SS	3
37	H-71013	FW 1/4 ID X 5/8 OD SS	3

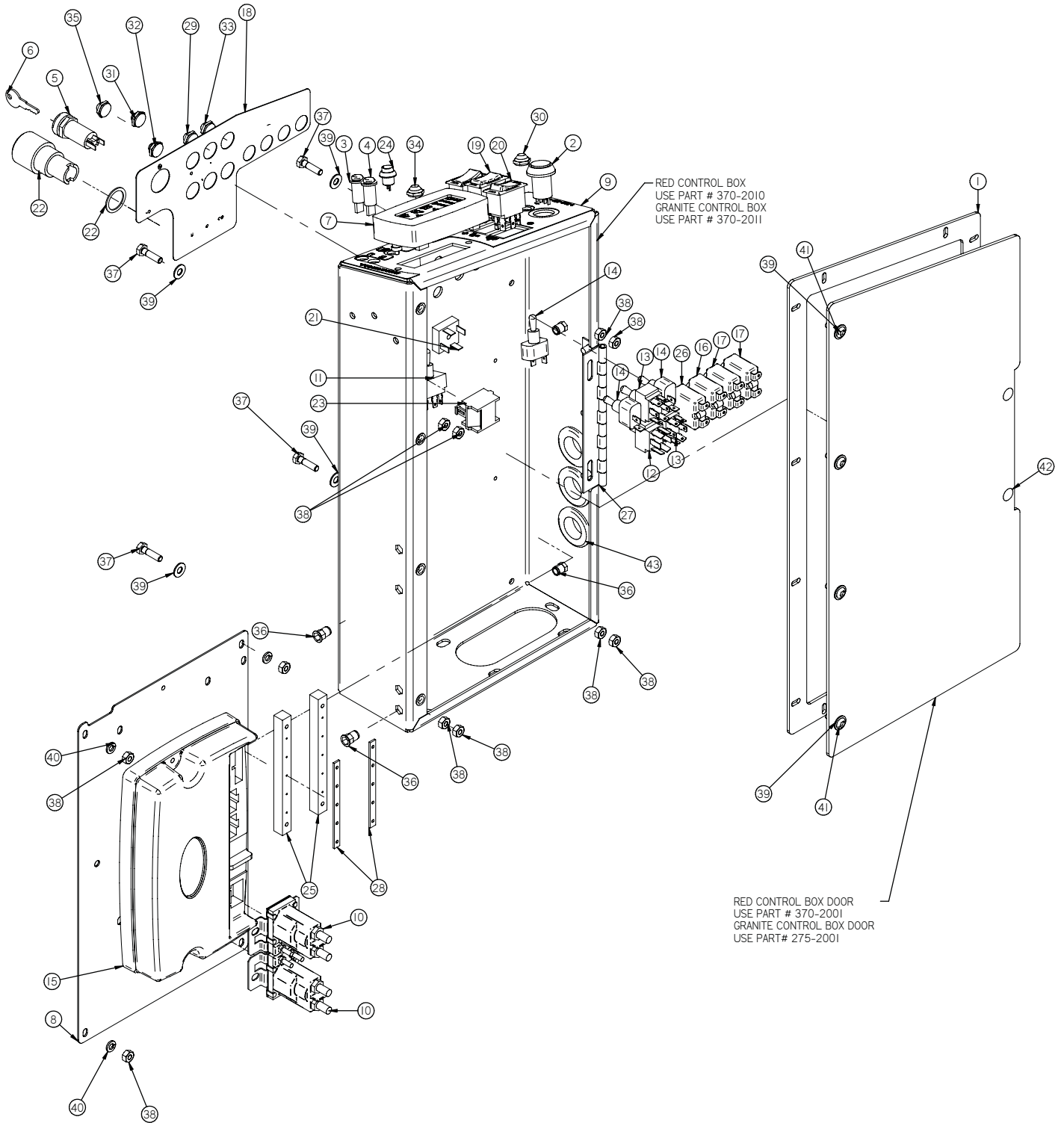


Item	Part No.	Part Description	Qty.
1	21-2230	MICRO SWITCH	1
2	370-0000	370 BATTERY BOX	1
3	370-0014	CUP HOLDER	1
4	370-0112	TANK TO VAC HOSE	1
5	370-1100	MAIN FRAME	1
6	370-1108	(2) QUART TRAY	1
7	370-1201	SEAT SUPPORT	1
8	370-2441	ON BOARD CHARGER	1
9	370-7040	TANK CABLE	2
10	390-2576	350 GREY CONNECTOR WITH I/O CONTACTS	1
11	430-1225	13" SS HINGE	1
12	5-100	GROMMET	1
13	5-130	DOOR LATCH	1
14	8-143	SEAT WITH ARM RESTS	1
15	8-180	HINGE, 6-7/8" S/S	1
16	H-01201	GROMMET	4
17	H-0129154	JAM NYLOK #10-24 SS	4
18	H-083	BOLT HEAD CAP	1
19	H-37708	1/4-20 LC ACORN NUT	5
20	H-40031	BATTERY BOOT	12
21	H-400317	TERMINAL COVER	12
22	H-70002	HCS 1/4"-20 X 1/2 SS"	6
23	H-70055	HCS 5/16"- 18 X 1" SS	4
24	H-70710	HN 1/4"- 20 SS	1
25	H-70858	NYLOK #10-32 SS	6
26	H-70860	NYLOK 1/4"- 20 SS	11
27	H-70861	NYLOK 5/16" - 18 SS	16
28	H-70925	KN 1/4-20 S/S	2
29	H-71013	FNW 1/4" X 5/8" SS	7
30	H-71015	FW 5/16" X 3/4" SS	8
31	H-71063	LW 1/4" SS	5
32	H-71065	LW 5/16" SS	4
33	H-72685	FHP 10-32 X 1" SS	3
34	H-74417	CB 1/4"- 20 X .5" SS	4
35	H-74418	CB 1/4"- 20 X 5/8" S/S	5
36	H-74422	CB 1/4"- 20 X 1-1/2" SS	2
37	H-74429	CB 5/16"- 18 X 3/4" SS	10
38	H-77009	HCS 1/4"- 20 X 1.5" SS	1
39	H-87712	FELT TABS	2



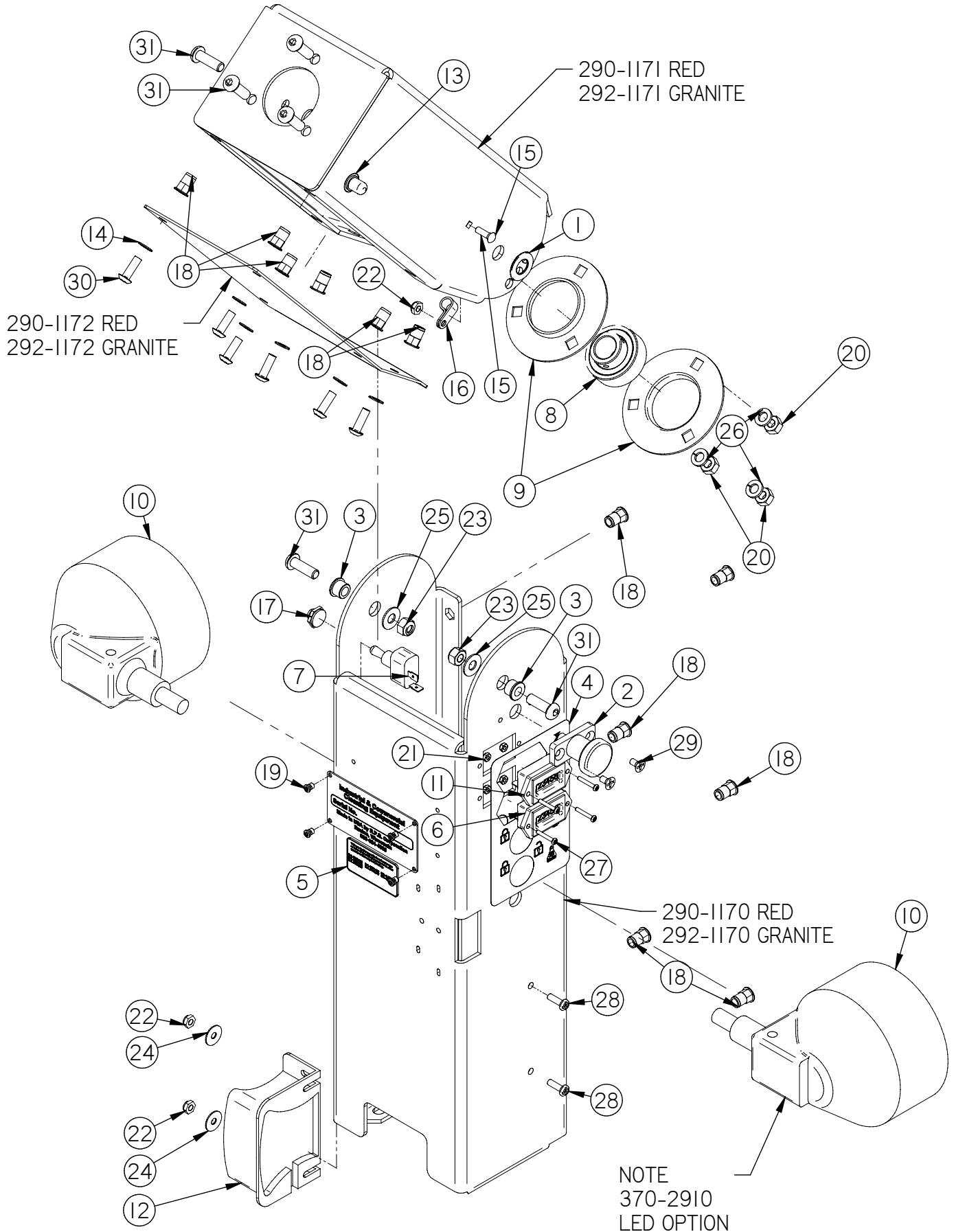


Item	Part No.	Part Description	Qty.
1	370-0006	INDUSTRIAL BATTERY BOX	1
2	370-1100	MAIN FRAME	1
3	370-1121	INDUSTRIAL SOAP TRAY	1
4	370-1212	SEAT SUPPORT (RIBB)	1
5	370-1213	BATTERY COMPARTMENT (RIBB)	1
6	370-1215	BATTERY BOX LID (RIBB)	1
7	370-2110	INDUSTRIAL BATTERY	1
8	395-8500	SOAP PUMP, 36V	1
9	430-1225	13" SS HINGE	1
10	8-143	SEAT WITH ARM RESTS	1
11	H-01201	GROMMET	2
12	H-0129154	JAM NYLOK #10-24 SS	2
13	H-0172518	CB #10-32 X 1/2" SS	2
14	H-312HCN	HCN 5/16"-18	8
15	H-70003	HCS 1/4"-20 X 5/8" SS	2
16	H-70055	HCS 5/16"- 18 X 1" SS	6
17	H-70858	NYLOK #10-32 SS	2
18	H-70860	NYLOK 1/4"- 20 SS	15
19	H-70861	NYLOK 5/16" - 18 SS	8
20	H-71013	FW 1/4" X 5/8" SS	7
21	H-71015	FW 5/16" X 3/4" SS	10
22	H-71063	LW 1/4" SS	2
23	H-71065	LW 5/16" SS	8
24	H-73780	BHSCS 5/16-18 X 1	2
25	H-74418	CB 1/4"- 20 X 5/8" S/S	15
26	H-74429	CB 5/16"- 18 X 3/4" SS	4
27	PC797-6x05	1/2 GALLON SUPERCON SOAP JUG	2

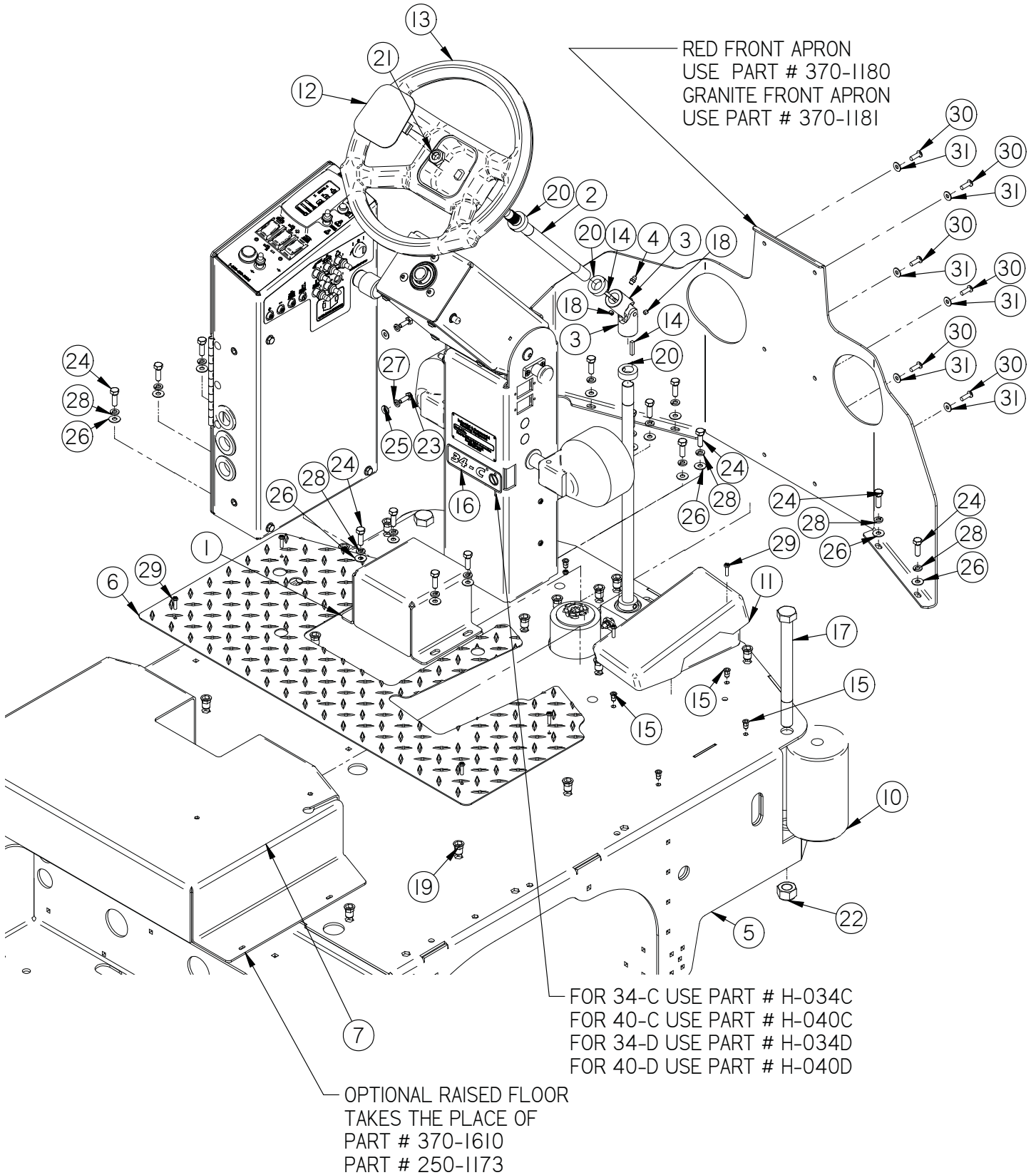


Item	Part No.	Part Description	Qty.
1	290-2004	ACCESS COVER GASKET	1
2	290-2015	ONE TOUCH BUTTON	1
3	290-2300	LOW SOLUTION (AMBER)	1
4	290-2310	FULL RECOVERY (RED)	1
5	290-234	KEY SWITCH	1
6	290-234A	KEY SET (REPLACE)	1
7	290-2891	LCD SCREEN	1
8	370-2006	HARDWARE PANEL	1
9	370-2013	CONTROL PANEL TOP PLATE	1
10	370-2331	RELAY, 36V, SMALL W/FLAT MTG PLATE	2
11	370-2830	SWITCH, TOGGLE, MOM/OFF/MOM (DPDT)	1
12	370-2831	SWITCH, TOGGLE, ON/OFF/ON (DPDT)	1
13	370-8210	SWITCH, TOGGLE, ON/ON (DPDT)	2
14	370-8920	TOGGLE, ON-OFF SPST	3
15	390-2899	CONTROLLER V4	1
16	390-9610	FUSE, RESETTABLE, 10 AMP, 50V DC MAX	1
17	390-9615	FUSE, RESETTABLE, 15 AMP, 50V DC MAX	2
18	420-1502	Central Command Decal	1
19	5-233	MOM-OFF-MOM DPDT	1
20	5-234	SWITCH, ROCKER, DPDT, ON/ON	2
21	5-296	DIODE BRIDGE	1
22	5-300	EMERGENCY SHUT OFF	1
23	5-302	EMERGENCY CONTACT BLACK	1
24	7-229	PUSH BUTTON SWITCH	1
25	7-287	BUSS BAR UHMW	2
26	7-837	FUSE RESETTABLE 2 AMP	1
27	8-180	HINGE, 6-7/8" S/S	1
28	E-5HBB	5 HOLE BUSS BAR	2
29	H-11195	PROTECTIVE BOOT, TOGGLE SWITCH, (WHITE)	1
30	H-11196	PROTECTIVE BOOT, TOGGLE SWITCH, (RED)	1
31	H-11197	PROTECTIVE BOOT, TOGGLE SWITCH, (YELLOW)	1
32	H-11198	PROTECTIVE BOOT, TOGGLE SWITCH, (GREEN)	1
33	H-11199	PROTECTIVE BOOT, TOGGLE SWITCH, (BLUE)	1
34	H-11200	PROTECTIVE BOOT, TOGGLE SWITCH, (BLACK)	1
35	H-11201	PROTECTIVE BOOT, TOGGLE SWITCH, (GRAY)	1
36	H-250HCN	HCN 1/4"-20	8
37	H-70005	HCS 1/4"- 20 X 1" SS	4
38	H-70710	HN 1/4"- 20 SS	12
39	H-71013	FW 1/4 ID X 5/8 OD SS	8
40	H-71063	LW 1/4" SS	4
41	H-73754	BHSCS 1/4 - 20 X 3/4" SS	4
42	H-74417	CB 1/4"- 20 X .5" SS	5
43	H-9307K74	GROMMET, 1" ID X 1-3/4" OD BUNA-N	3

# 60 Steering Tower

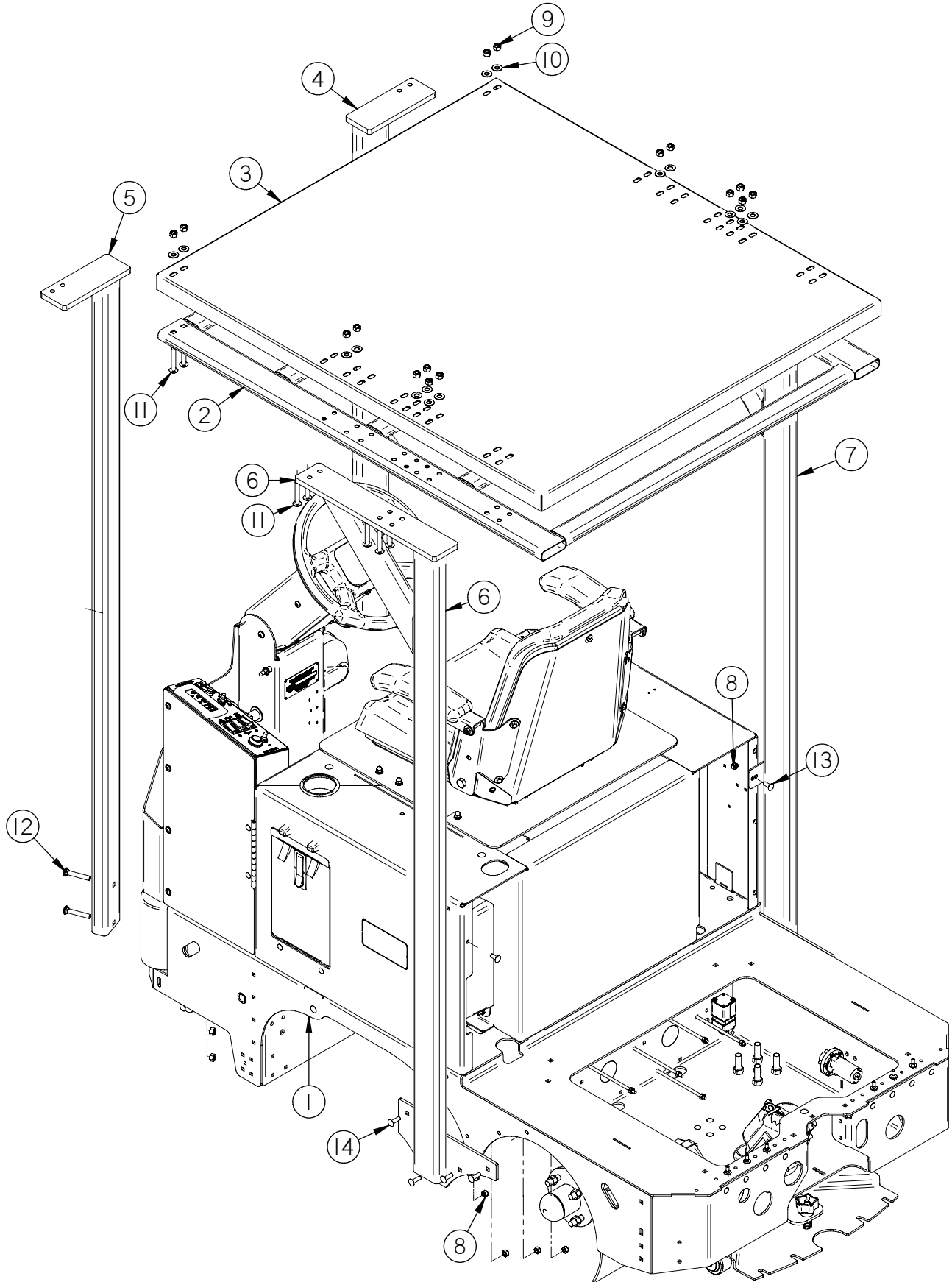


Item	Part No.	Part Description	Qty.
1	290-1247	BRONZE THRUST BEARING, .50" ID X 1.0" OD X 1/16" TH	2
2	290-7050	INDEX PLUNGER	1
3	370-1245	BUSHING	2
4	370-7204	METER STICKER	1
5	370-7206	PATENT PLATE	1
6	370-8261	CHARGER COUNTER	1
7	370-8920	TOGGLE, ON-OFF SPST	1
8	4-352	BEARING	1
9	4-364A	FLANGE, 1.75" ID	2
10	430-2910	36V HEADLIGHT	2
11	8-262	HOUR METER	1
12	8-292	BACKUP ALARM	1
13	8-294B	PUSH BUTTON SWITCH, SILVER	1
14	H-00282	FW 1/4" NYLON	6
15	H-0172519	CB #10-32 X 5/8" SS	1
16	H-02239	3/8" NYLON LOOP CLAMP	1
17	H-11200	PROTECTIVE BOOT, TOGGLE SWITCH, (BLACK)	1
18	H-250HCN	HCN 1/4"-20	12
19	H-41007	AB4-3A BLIND RIVET	4
20	H-70711	HN 5/16"- 18 SS	4
21	H-70854	NYLOK #4-40 SS	4
22	H-70858	NYLOK #10-32 SS	3
23	H-70861	NYLOK 5/16" - 18 SS	2
24	H-71010	FW #10 ID X 11/16 OD SS	2
25	H-71015	FW 5/16 ID X 3/4 OD SS	2
26	H-71065	LW 5/16" SS	4
27	H-72490	PPH #4-40 X 3/4" S/S	4
28	H-72517	PPH #10-32 X 5/8" SS	2
29	H-72681	FHP #10-32 X 3/8" SS	2
30	H-73754	BHSCS 1/4 - 20 X 3/4" SS	6
31	H-73780	BHSCS 5/16-18 X 1	6



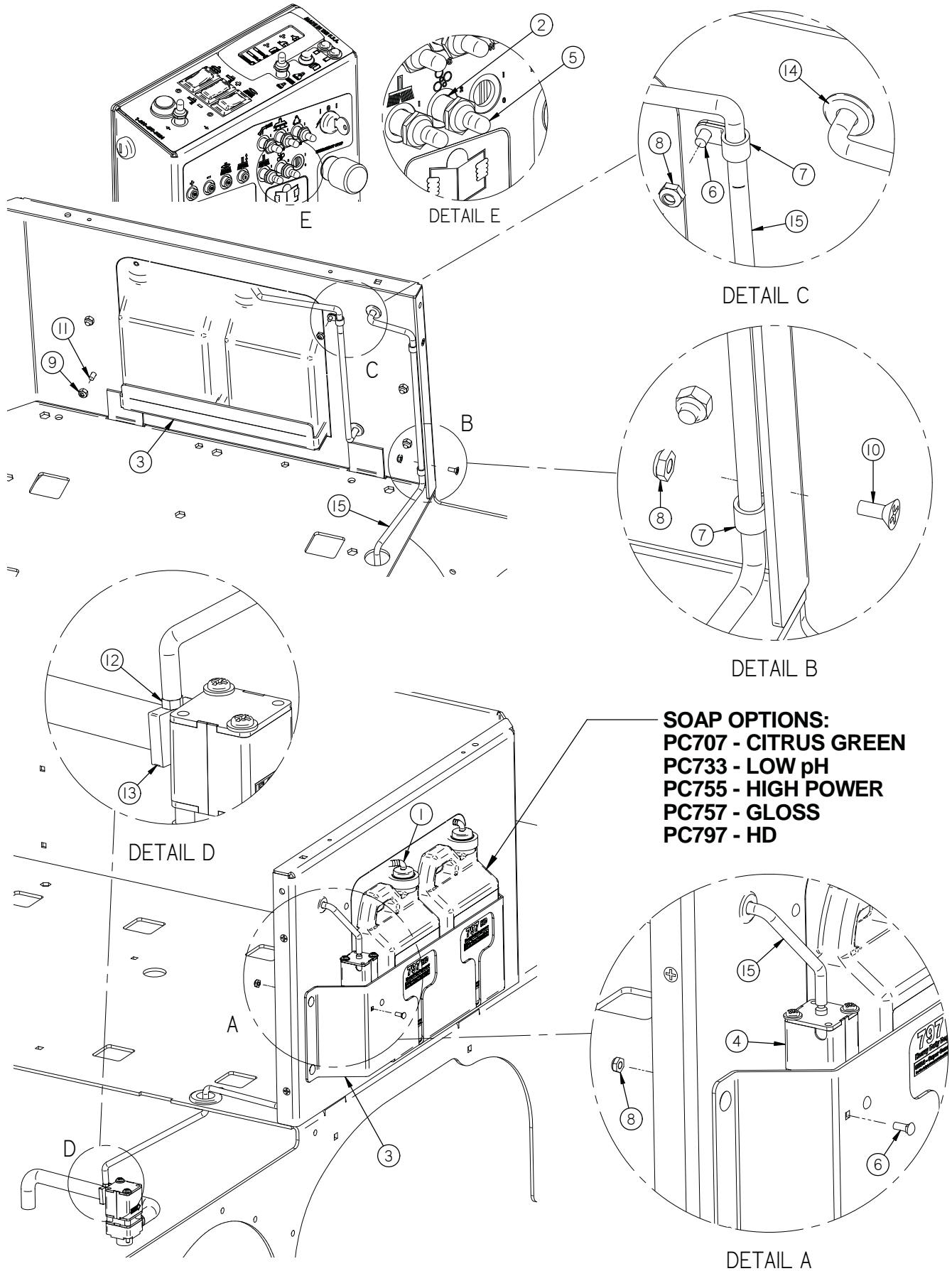
Item	Part No.	Part Description	Qty.
1	250-1173	DRIVE COVER	1
2	290-7090	STEERING SHAFT, UPPER	1
3	290-7110	U-JOINT	1
4	290-7111	1/4-28 ZERK FITTING	1
5	370-1100	MAIN FRAME	1
6	370-1610	NON SKID FLOOR PLATE	1
7	370-1611	RAISED FLOOR	1
8*	370-7201	FACTORY CAT STICKER	1
9*	370-7202	TOMCAT STICKER	1
10	7-125A	ROLLER	2
11	8-290	FOOT PEDAL	1
12	8-701A	STEERING COVER	1
13	8-703	STEERING WHEEL	1
14	H-01125	3/16" X 1" KEY	2
15	H-02309	HCN #10-32, LG CRIMP	14
16	H-034C	34 CYLIDRICAL STICKER	1
17	H-11380	HCS 3/4-10 X 8-1/2	2
18	H-25379	SETSCREW, KCP, 1/4"-20 X 1/4"	3
19	H-312HCN	HCN 5/16"-18	20
20	H-33376	.75 ID SHAFT COLLAR WITH SET SCREW	3
21	H-37038	JNYL 5/8"- 11	1
22	H-37039	NYLOK 3/4"- 10	2
23	H-70003	HCS 1/4"- 20 X 3/4" SS	2
24	H-70055	HCS 5/16"- 18 X 1" SS	15
25	H-71013	FNW 1/4" X 5/8" SS	2
26	H-71015	FW 5/16" X 3/4" SS	15
27	H-71063	LW 1/4" SS	2
28	H-71065	LW 5/16" SS	15
29	H-72534	PPH #10-32 X 3/4" S/S	8
30	H-73754	BHSCS 1/4 - 20 X 3/4" SS	6
31	H-76061	FW 1/4" NYLON	6

\* STICKER NOT SHOWN  
 FOR FACTORY CAT STICKER USE PART # 370-7201  
 FOR TOMCAT STICKER USE PART # 370-7202

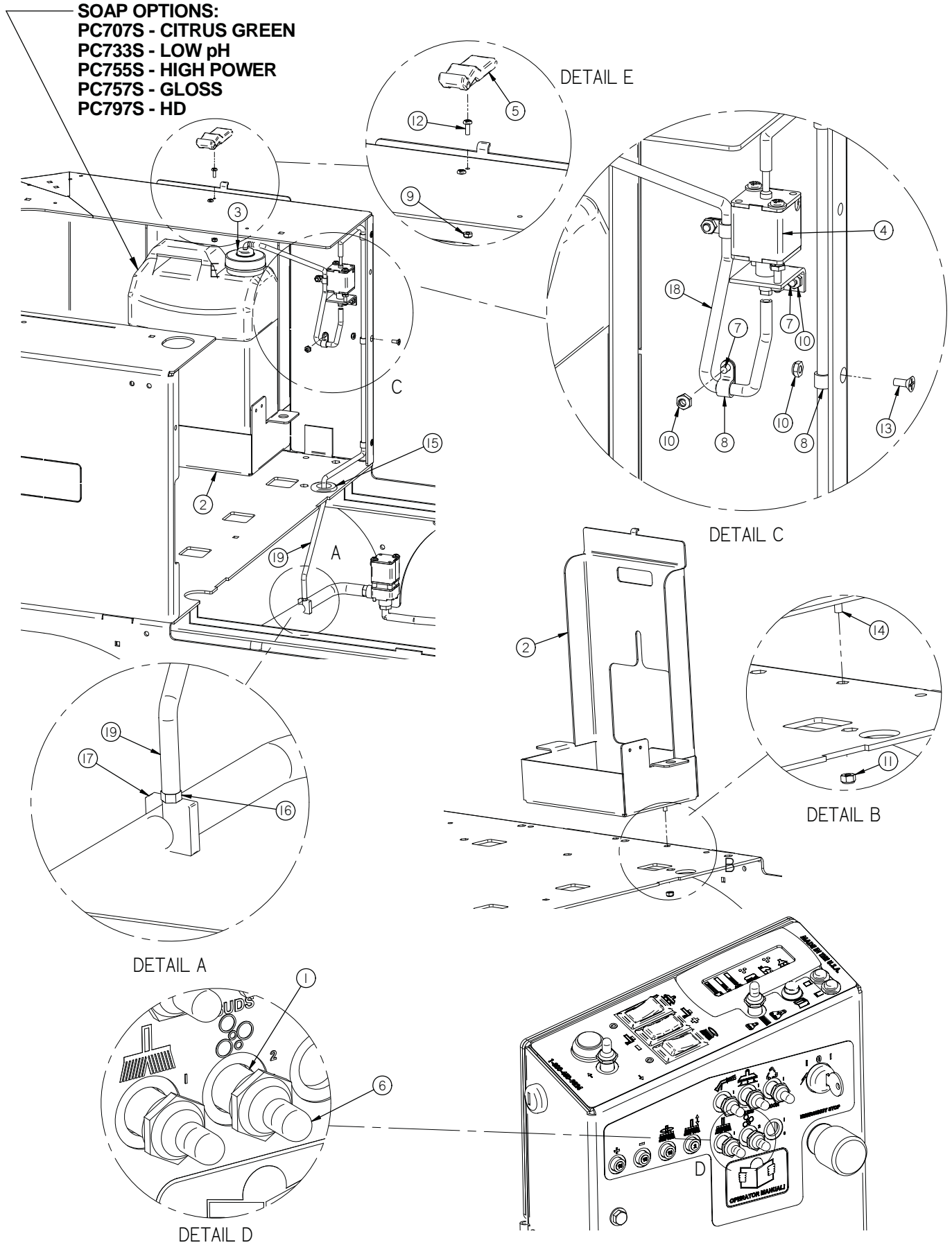




Item	Part No.	Part Description	Qty.
1	370-1100	MAIN FRAME	1
2	370-1703	ROOF SUPPORT	1
3	370-1704	OVERHEAD GUARD ROOF	1
4	370-1705	RIGHT FRONT SUPPORT	1
5	370-1706	LEFT FRONT SUPPORT	1
6	370-1711	OVERHEAD GUARD SUPPORT (LH)	1
7	370-1712	OVERHEAD GUARD SUPPORT (RH)	1
8	H-70861	NYLOK 5/16" - 18 SS	10
9	H-70862	NYLOK 3/8"-16 SS	20
10	H-71017	FW 3/8 ID X 7/8 OD SS	16
11	H-73819	BHSCS 3/8"- 16 X 2-1/4" S/S	16
12	H-74416	CB 3/8"- 16 X 2-1/4" SS	4
13	H-74429	CB 5/16"- 18 X 3/4" SS	2
14	H-74430	CB 5/16"- 18 X 1" SS	8

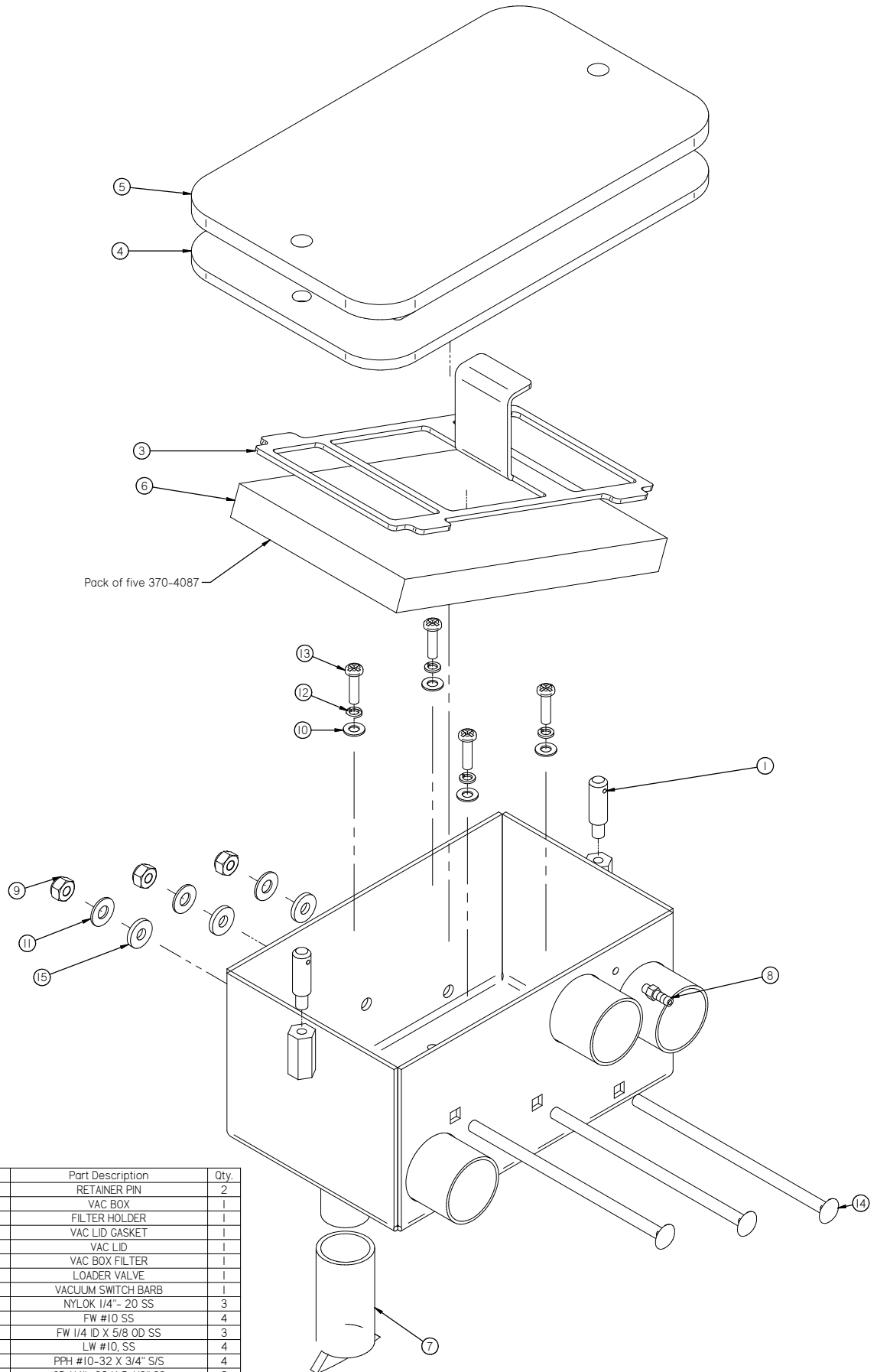


Item	Part Number	Part Description	Qty
1	253-0115	SOAPJUG CAP	2
2	253-283	SWITCH, TOGGLE, ON/OFF/ON (DPDT)	1
3	370-1121	INDUSTRIAL SOAP TRAY	1
4	395-8500	SOAP PUMP, 36V	1
5	H-01198	PROTECTIVE BOOT, TOGGLE SWITCH, (GREEN)	1
6	H-0172518	CB #10-32 X 1/2" SS	3
7	H-02239	3/8" NYLON LOOP CLAMP	3
8	H-70858	NYLOK #10-32 SS	5
9	H-70860	NYLOK 1/4"- 20 SS	4
10	H-72682	FHP #10-32 X 1/2" SS	2
11	H-74418	CB 1/4"- 20 X 5/8" S/S	4
12	M-2974K369	NYLON BARBED TUBE FITTING, 3/16 ID X 1/16" NPT	1
13	M-5116K46	1/2" X 1/2" BARB	1
14	M-9307K23	GROMMET, RUBBER 3/8 ID X 7/8 OD X 1/8 TH.	2
15	T-018CR3200	3/16" ID X 32" LG. C.R. TUBE	2

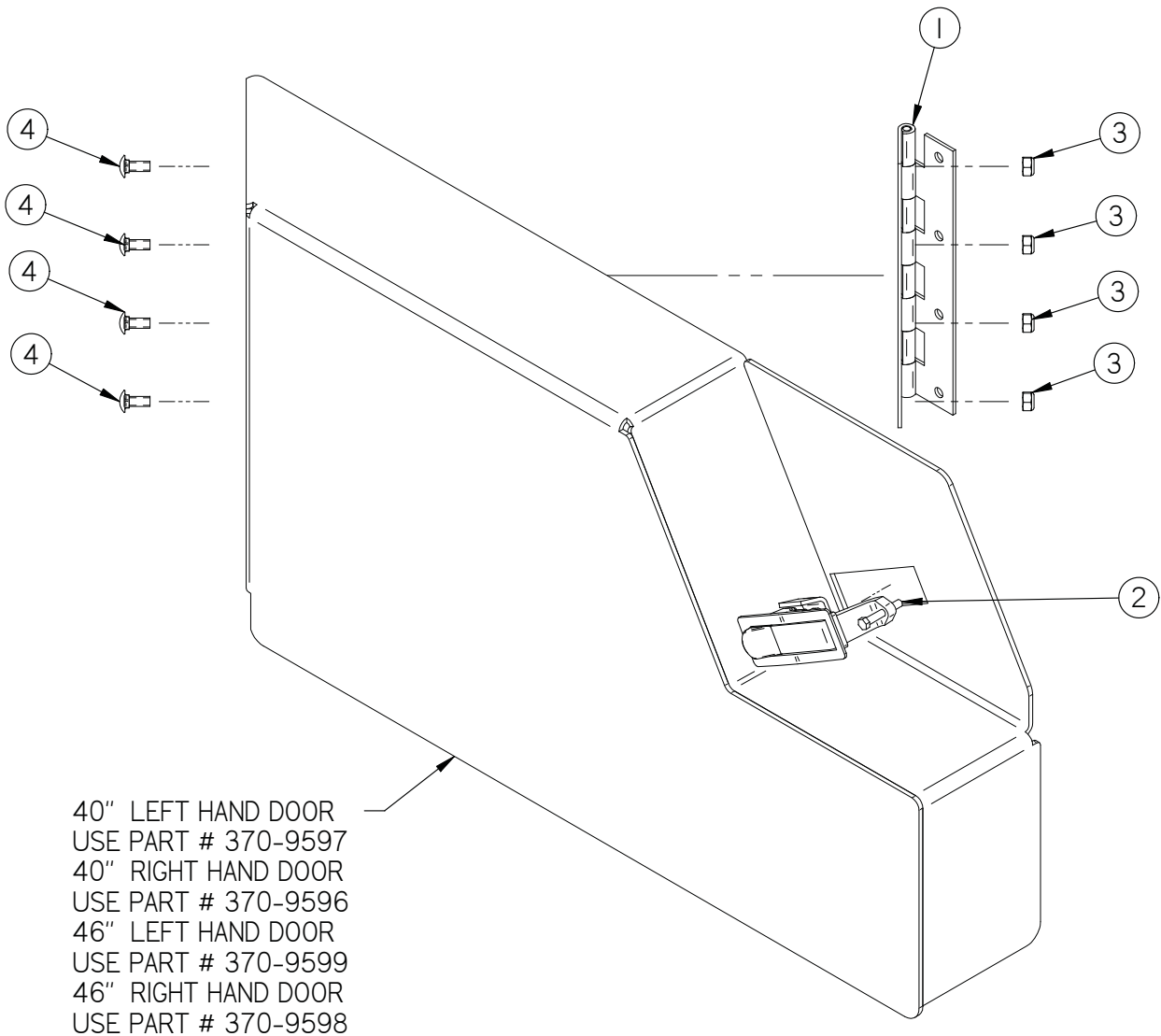


Item	Part Number	Part Description	Qty
1	253-283	SWITCH, TOGGLE, ON/OFF/ON (DPDT)	1
2	370-1111	ON-BOARD SOAP TRAY	1
3	395-0211	SOAP JUG CAP	1
4	395-8500	SOAP PUMP, 36V	1
5	4-124	LATCH	1
6	H-01198	PROTECTIVE BOOT, TOGGLE SWITCH, (GREEN)	1
7	H-0172518	CB #10-32 X 1/2" SS	4
8	H-02239	3/8" NYLON LOOP CLAMP	5
9	H-70856	NYLOK #8-32 SS	2
10	H-70858	NYLOK #10-32 SS	7
11	H-70860	NYLOK 1/4"- 20 SS	2
12	H-72398	PPH #8-32 X 1/2" S/S	2
13	H-72682	FHP #10-32 X 1/2" SS	3
14	H-74418	CB 1/4"- 20 X 5/8" S/S	2
15	H-9307K74	GROMMET, 1" ID X 1-3/4" OD BUNA-N	1
16	M-2974K369	NYLON BARBED TUBE FITTING, 3/16 ID X 1/16" NPT	1
17	M-5116K46	1/2" X 1/2" BARB	1
18	T-018CR2200	3/16" ID X 22" LG. C.R. TUBE	1
19	T-018CR3200	3/16" ID X 32" LG. C.R. TUBE	1

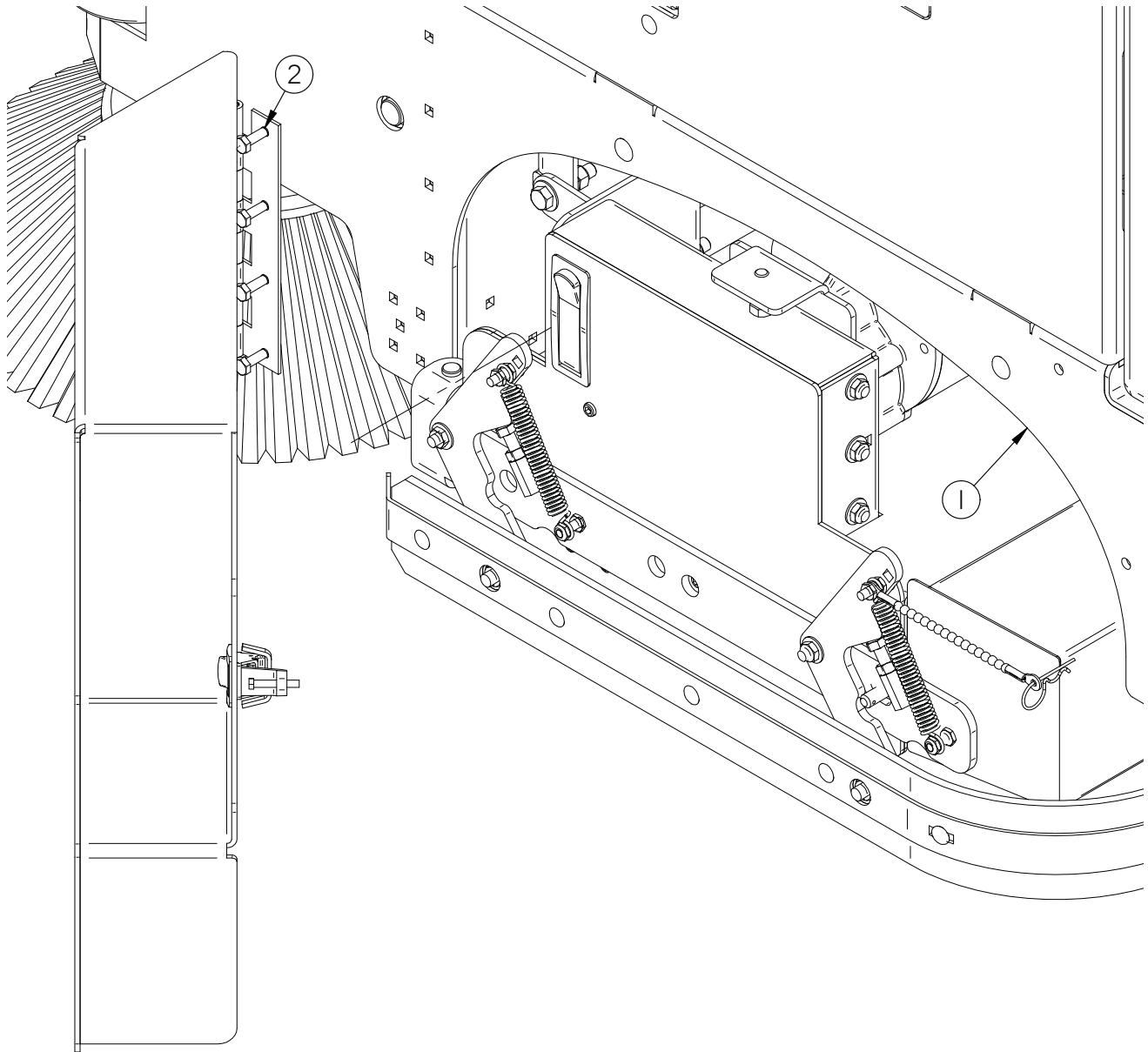
# 70 Vac Filter Box 63205 and Higher



Item	Part No.	Part Description	Qty.
1	250-0001	RETAINER PIN	2
2	370-1450	VAC BOX	1
3	370-1452	FILTER HOLDER	1
4	370-1453	VAC LID GASKET	1
5	370-1454	VAC LID	1
6	370-4086	VAC BOX FILTER	1
7	390-1505	LOADER VALVE	1
8	390-2328A	VACUUM SWITCH BARB	1
9	H-70860	NYLOK 1/4"- 20 SS	3
10	H-71009	FW #10 SS	4
11	H-71013	FW 1/4 ID X 5/8 OD SS	3
12	H-71059	LW #10, SS	4
13	H-72534	PPH #10-32 X 3/4" S/S	4
14	H-74399	CB 1/4"- 20 X 5-1/2" SS	3
15	M-90130A029	.25" NEOPRENE WASHER	3

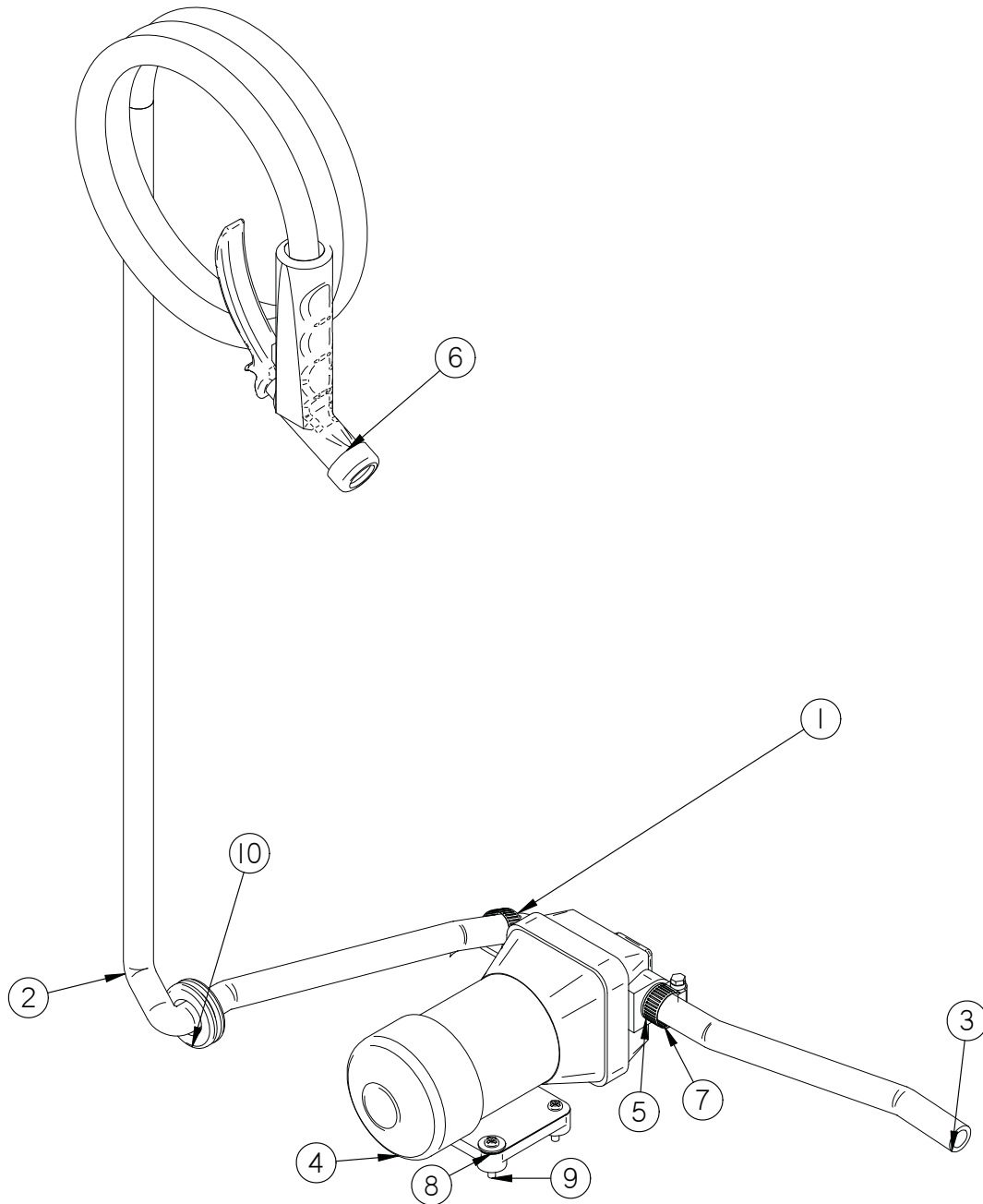


Item	Part No.	Part Description	Qty.
1	5-122	8" SS HINGE	1
2	5-130	DOOR LATCH	1
3	H-70860	NYLOK 1/4"- 20 SS	4
4	H-74418	CB 1/4"- 20 X 5/8" S/S	4

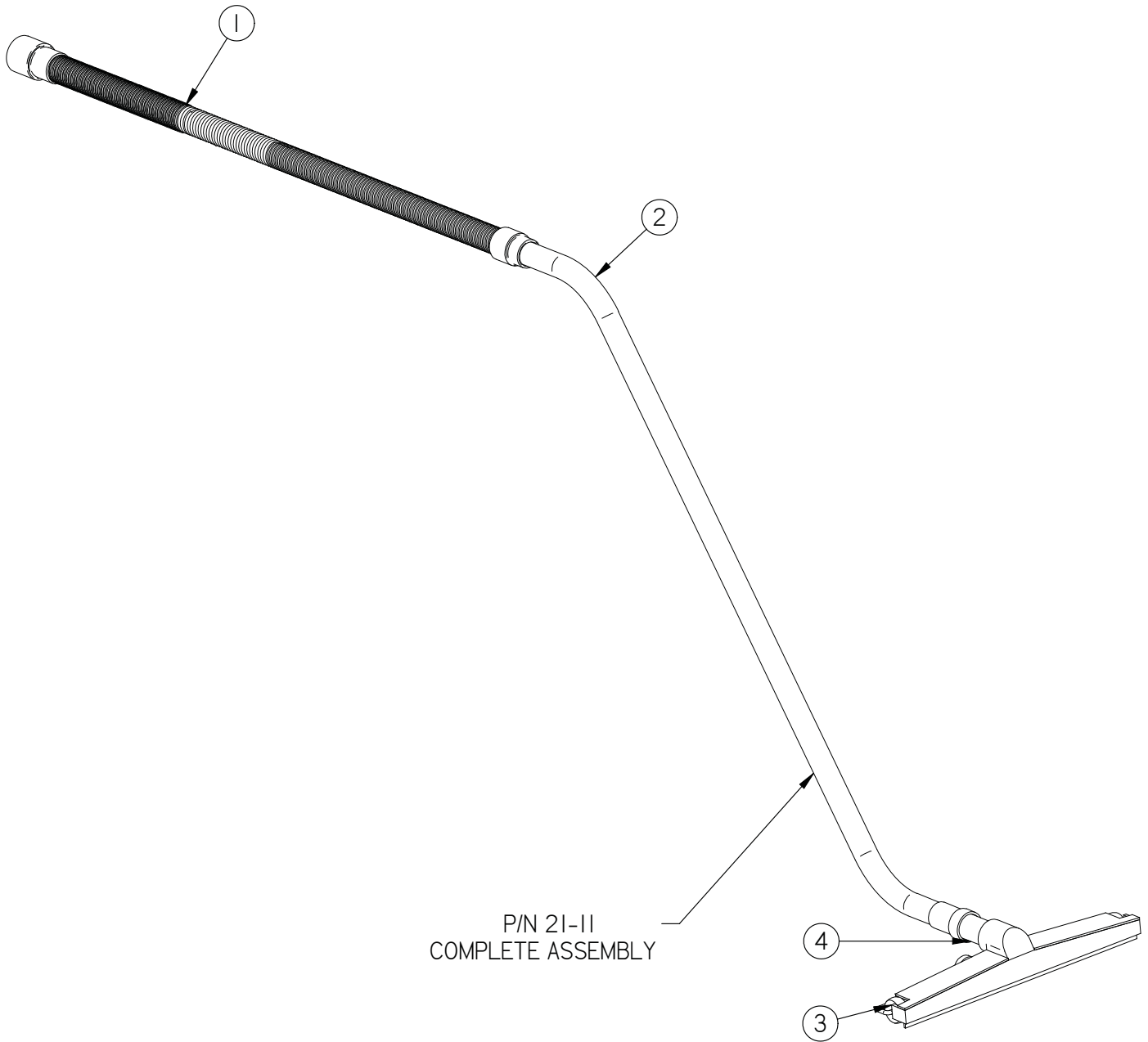


Item	Part No.	Part Description	Qty.
1	370-1100	MAIN FRAME	1
2	H-70003	HCS 1/4"- 20 X 3/4" SS	4
3	H-70860	NYLOK 1/4"- 20 SS	4





Item	Part No.	Part Description	Qty.
1	21-1601	1/2" BARBED ELBOW (PLASTIC)	1
2	290-8960	SPRAY JET HOSE	1
3	370-0003	1/2" X 10" CLEAR HOSE	1
4	430-8910	PUMP, WATER JET, 36V	1
5	5-891B	1/2" SPRAY JET BARB	1
6	5-895	SPRAY NOZZLE	1
7	H-081	CLAMP 7/16"- 25/32" SS	2
8	H-71010	FW #10 .218 x .687 S/S	1
9	H-72536	PPH #10-32 X 1" S/S	2
10	H-9307K74	GROMMET, 1" ID X 1-3/4" OD BUNA-N	1



Item	Part No.	Part Description	Qty.
1	5-883	SQUEEGEE HOSE	1
2	5-887	VAC WAND	1
3	5-889	VACUUM NOZZLE	1
4	7-884	COUPLER, S/S	1

**ROUND DISK BRUSHES:**

BRUSHES	MODEL 34" DISK	MODEL 40" DISK	MODEL 46" DISK
Super Grit	17-421SS	20-421SS	23-421SS
Tough Grit	17-421S	20-421S	23-421S
Midi Grit	17-421C	20-421C	23-421C
Light Grit	17-421PS	20-421PS	23-421PS
Poly (.028)	17-421P	20-421P	23-421P
Nylon (.016)	17-421N	20-421N	23-421N
Tampico	17-421T	20-421T	23-421T
Pad Driver	17-421D	20-421D	23-421D
Diamond Driver	17-421DD	20-421DD	23-421DD

**ROUND DISK PADS:**

<b>NOTICE</b>
The ## in Disk Column Denotes Desk Pad Size: 17", 20" or 23"

DISK PADS	DISK	LEVEL	COLOR
Super Black	##-422BB	Very High	Black
Black	##-422B	High	Black
Brown	##-422BR	High	Brown
Green	##-422G	Medium	Green
Blue	##-422BL	Moderate	Blue
Red	##-422R	Moderate	Red
White	##-422W	Light	White

**NEW STYLE CYLINDRICAL BRUSHES:**

For Machine Serial #50000 & Greater

BRUSHES	MODEL 34" CYLINDRI- CAL	MODEL 40" CYLINDRICAL	MODEL 46" CYLINDRICAL
Super Grit	N / A	N / A	N / A
Tough Grit	327-821S	387-821S	447-821S

Midi Grit	327-821C	387-821C	447-821C
Light Grit	327-821PS	387-821PS	447-821PS
Poly (.028)	N / A	N / A	N / A
Nylon (.016)	327-821N	387-821N	447-821N

**OLD STYLE CYLINDRICAL BRUSHES:**

For Machines Prior To Serial #50000

BRUSHES	MODEL 34" CYLINDRI- CAL	MODEL 40" CYLINDRICAL	MODEL 46" CYLINDRICAL
Super Grit	N / A	N / A	N / A
Tough Grit	32-521S	38-521S	44-521S
Midi Grit	32-521C	38-521C	44-521C
Light Grit	32-521PS	38-521PS	44-521PS
Poly (.028)	N / A	N / A	N / A
Nylon (.016)	32-521N	38-521N	44-521N

**SQUEEGEE BLADE KITS & COMPLETE SQUEEGEE ASSEMBLIES:**

SQUEEGEE SIZE	34" CYL 34" DISK	40" CYL 40" DISK	46" CYL 46" DISK
46" Squeegee	Standard	N / A	N / A
53" Squeegee	Optional	Standard	Optional
60" Squeegee	Optional	Optional	Standard

SQUEEGEE SIZE	GUM RUBBER BLADE KIT	LINATEX BLADE KIT	URETHANE BLADE KIT	COMPLETE SQUEEGEE ASSEMBLIES
46" Squeegee	360-770G	360-770L	360-770U	350-7180
53" Squeegee	370-770G	370-770L	370-770U	360-7180
60" Squeegee	380-770G	380-770L	380-770U	380-7180

**NOTICE**

Squeegee blade kits include (1) Rear Blade, (1) Front Blade, and (2) Backup Wheels with hardware.

**NOTICE**

Squeegee Assemblies (complete) listed above all come with Linatex blades.

**NOTICE**

Size is stamped into the top of the painted steel squeegee body on all squeegee's.

**NOTICE**

The 46" squeegee is designed for narrow aisles and may not have the same water control around tight turns as the large squeegees.

## XR Suggested Parts Inventory

Quantity	Part #	Description
1	370-750G	Squeegee Rebuild Kit 46" Gum
1	370-750L	Squeegee Rebuild Kit 46" Linatex
1	370-770G	Squeegee Rebuild Kit 53" Gum
1	370-770L	Squeegee Rebuild Kit 53" Linatex
1	370-790G	Squeegee Rebuild Kit 60" Gum
1	370-790L	Squeegee Rebuild Kit 60" Linatex
2	190-3030	Squeegee Side Roller Wheels
2	H-71193	Side Roller Wheel Bolt
1	21-4500	Solution Solenoid
1	250-5250	Vacuum Motor
1	190-3002	Vacuum Motor Gasket
1	8-231	Main Power Switch
1	190-1410	Recovery Lid Assembly
1	370-7420	Tank Lid Gasket
1	7-229	Pushbutton Switch
1	29-Jul	Rheostat, Speed Setting 5k
1	7-283	DPDT Toggle switch
1	290-2891	LCD
2	290-2815	Circuit Breaker
2	21-5000	Brush Driver
1	370-4085	Vac Screen
1	21-4028	Snap grip Clamp 2-1/8" - 2-3/8", Nylon
1	190-1450	Vacuum Saver
1	253-1505	Loader Valve
2	370-0111	Squeegee Hose
2	170-7211	Drain Hose Cap
2	370-7210	Drain Hose
2	370-6180	Rear Tires
1	420-1502	Control Panel Sticker
1	390-2013	Control Panel Top Sticker
1	5-913	Solution Filter
1	21-4510	Solution Knob
1	8-290	Foot Pedal
2	4-124	Tank Lid Latch
4	290-5786	Squeegee Knobs
1	H-01196	Switch Cover - Red
1	H-01200	Switch Cover - Black
1	5-293	Hella Relay
1	5-223	Vac Switch
1	370-2441	On-Board Charger
1	253-3444	Charger Cord







1711 South Street  
Racine, WI 53404  
[www.rpsccorporation.com](http://www.rpsccorporation.com)  
[www.factorycat.com](http://www.factorycat.com)  
[www.tomcatequip.com](http://www.tomcatequip.com)  
Tel. US: 800-634-4060  
Tel. Int: (011) 262-681-3583  
Fax: 866-901-3335